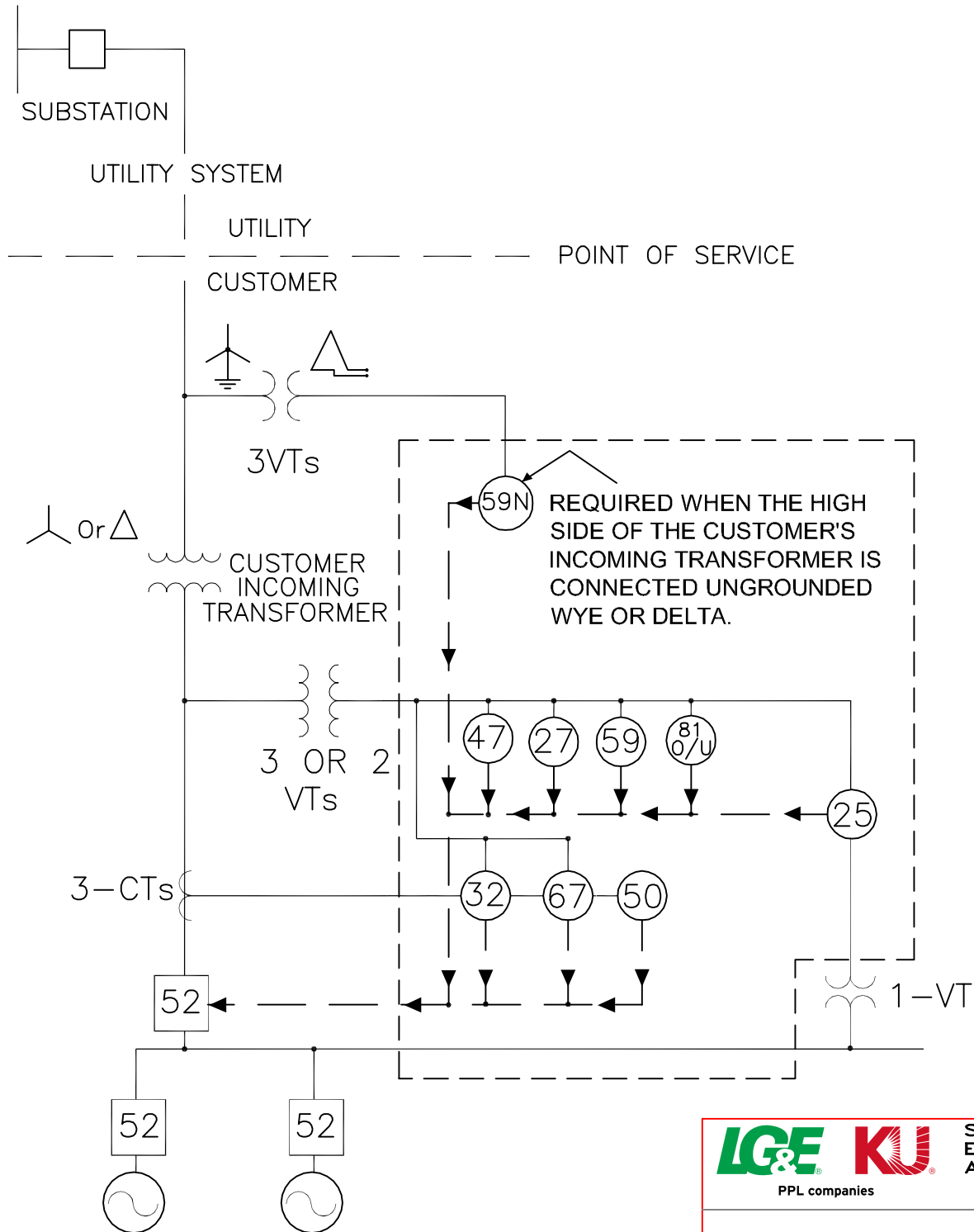


**LG&E/KU INTERCONNECTION REQUIREMENTS FOR
PARALLEL STANDBY GENERATION SCHEMES**

**TYPE 2 - LINE SIDE OF CUSTOMER TRANSFORMER
CONNECTED UNGROUNDED WYE OR DELTA**



LG&E KU SUBSTATION ENGINEERING AND DESIGN
PPL companies

INTERCONNECTION REQUIREMENTS
FIGURE 2

DRAWN: 10/6/04 Rocky Flood
REVISED: 5/11/12 Gary Hethcox

SPEC-252 C