

# Technical Specifications





## Table of Contents

---

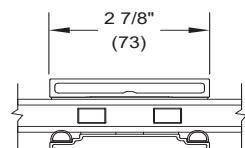
- 4 Product Options
- 5 Ordering
- 6 Performance Rating Information and Standards
- 7 Modern Awning/Modern Casement
- 10 Modern Casement/Modern Casement Push Out
- 11 Modern Automated Awning/Casement
- 12 Modern Direct Glaze
- 17 Modern Inswing/Outswing Door
- 21 Modern Sliding Door
- 23 Modern Multi-Slide Door

---

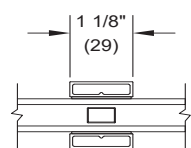
DIRECT GLAZE WINDOWS  
Bronze

# Product Options

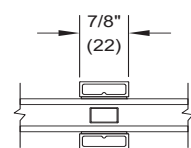
## Divided Lites



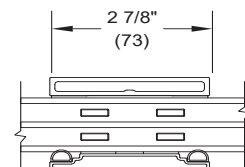
2 7/8" SDL  
15/16" Dual Pane



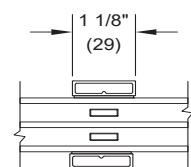
1 1/8" SDL  
15/16" Dual Pane



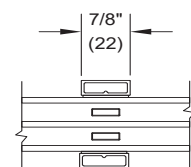
7/8" SDL  
15/16" Dual Pane



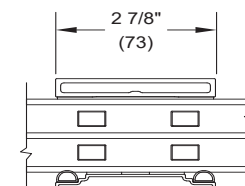
2 7/8" SDL  
1 1/4" Tripane



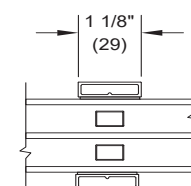
1 1/8" SDL  
1 1/4" Tripane



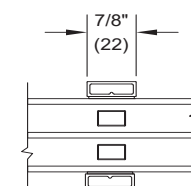
7/8" SDL  
1 1/4" Tripane



2 7/8" SDL  
1 9/16" Tripane



1 1/8" SDL  
1 9/16" Tripane



7/8" SDL  
1 9/16" Tripane

\* The 1 9/16" tripane is only available with Modern Direct Glaze.

# Ordering

The following pages include specifications for many of the standard windows and doors Marvin manufactures. For complete specification information, visit [marvin.com](http://marvin.com) or contact your local Marvin representative. There's a lot of information here, but once you understand the different elements, these pages will become the first step in seeing your window and door dreams become a reality. So when you meet with your local Marvin representative, you'll be speaking the same language. And should you have something special in mind, remember that in addition to the thousands of standard offerings listed here, our favorite challenge is creating a custom window or door that has never been built before.

## Operating vs. Stationary

Marvin drawings always illustrate the window sash or door panels as if you are looking from the outside in. Identifying which sash or panels are operating is a little counter-intuitive. X means operating, O means stationary. So when listing the sash or panels, start from the left to right looking from the exterior. For example, a two panel French door with a left operating panel and a right stationary panel would be identified as XO. A French door with two operating panels would be identified as XX.

The identification of stationary/operating panels is then followed by the handing of the primary operating panel (the one that would be opened first, in the case of two operating panels). If you stand straddling the sill of a door with your back to the hinge of the operating panel, notice which hand you would use to reach out and close the door. That indicates whether a door panel is "R" - right handing or "L" - left handing for Marvin residential doors.



## Ordering Considerations

All products are ordered through window and door professionals. They'll take care of you every step of the way, working with you to specify each detail. Since Marvin products are not warehoused and are made to order to your exact needs, product returns are at the discretion of your individual dealer.

Listed below are some of the details you may want to consider:

- Glazing options such as insulating glass and Low E3 to optimize energy efficiency
- Divided Lite options: Simulated Divided Lite with spacers, Simulated Divided Frame
- Hardware finishes
- Sill types
- Operating vs. stationary sash and panels
- Screen needs
- Jamb depth needs
- Performance needs
- Automation needs

All performance information is based on Marvin installation recommendations for standard products. Please consult your local Marvin representative for more information. For further details and drawings visit the 'Technical Specifications' section at [marvin.com](http://marvin.com).

The information provided in this catalog has been gathered and assembled with every effort made to validate accuracy and consistency of the content. However, Marvin does not make any warranty or guarantee as to this information. Please verify critical product data in Marvin Order Management System (OMS) quotes and at the time of ordering.

# Performance Rating Information and Standards

As you flip through this catalog, you'll see different ratings on the performance of Marvin windows and doors. Here's some brief background information:

## WDMA Standards

The Window and Door Manufacturers Association (WDMA) in conjunction with other organizations in the industry developed standards that make it easy to compare windows and doors from different manufacturers, testing product performance regarding air and water infiltration, as well as physical loads on the exterior and interior (very important when you consider the pressure differentials that can occur in coastal areas, as well as forced entry resistance). Marvin products are rated in accordance with the AAMA/WDMA/CSA 101/I.S.2/A440. Standards are certified in compliance with the WDMA Hallmark program.

## Performance Grade (PG)

A Performance Grade (PG) rating is given to products that comply with and attain a specific level of performance in accordance with current testing standards/specifications created by AAMA/WDMA/CSA standards. Once all applicable testing has been successfully completed for air infiltration, water penetration resistance, and structural loading which also includes load deflection, ease of operation, and forced entry resistance testing, a PG rating is given. The higher a PG number the product is rated, the better the performance.

## NFRC

Marvin is a member of the National Fenestration Rating Council, an independent, non-profit organization that has established an energy performance rating system for accurately comparing different window and door products. Some factors considered in creating an individual window or door's rating include: the U-factor (measuring heat loss), the solar heat gain coefficient, and visible light transmission, evaluating the frame, sash and glass in its entirety.

## ENERGY STAR®

The U.S. Department of Energy and the U.S. Environmental Protection Agency created this standard to help consumers identify products that reduce energy use. Windows and doors that qualify for ENERGY STAR are much more efficient as an average window produced ten years ago and must be rated, certified, and labeled according to the NFRC. To get current energy data, go to [energystar.gov](http://energystar.gov).

## Egress Code

International Building Code – 2012 and 2015 Section 1009 Emergency Escape and Rescue.

1026.2 Minimum size: Emergency escape and rescue openings shall have a minimum net clear opening of 5.7 sq ft (0.53 m2).  
Exception: The minimum net clear opening for emergency escape and rescue openings on the ground level at grade is 5.0 sq ft (0.46 m2).

1026.2.1 Minimum dimensions: The minimum net clear opening height dimension shall be 24 inches (610 mm). The net clear opening width dimension shall be 20 inches (508 mm). The net clear opening dimensions shall be the result of normal operation of the opening.

1026.3 Maximum height from the floor: Emergency escape and rescue opening shall have the bottom of the clear opening not greater than 44 inches (1118 mm) measured from the floor.

1026.4 Operational constraints: Emergency escape and rescue openings shall be operational from the inside of the room without the use of keys or tools. Bars, grilles, grates or similar devices are permitted to be placed over emergency escape and rescue openings provided the minimum net clear opening size complies with Section 1026.2 and such devices shall be releasable or removable from the inside without the use of a key, tool or force greater than that which is required for normal operation of the escape and rescue opening. Where such bars, grilles, grates or similar devices are installed in existing buildings, smoke alarms shall be installed in accordance with section 907.2.10 regardless of the valuation of the alteration.

Code restrictions may vary depending on your local building codes.

# Modern Awning / Modern Casement

## Certified Sizes

Product	Air Tested to PSF	Water Tested to PSF	Design Pressure (DP)	Certification Rating	Max Overall Width		Max Overall Height	
					in	mm	in	mm
MCA, MCAPO, MCAMOTO	1.57	12.1	50	CW-PG50-C	32	(813)	108	(2743)
MCA, MCAPO, MCAMOTO	1.57	12.1	50	CW-PG50-C	36	(914)	102	(2591)
MCA, MCAPO, MCAMOTO	1.57	12.1	50	CW-PG50-C	40	(1016)	96	(2438)
MCA, MCAPO, MCAMOTO	1.57	12.1	50	CW-PG50-C	44	(1118)	92	(2337)
MAWN	1.57	12.1	50	CW-PG50-C	64	(1626)	96	(2438)
MAWN	1.57	12.1	45	LC-PG45-C	96	(2438)	64	(1626)
MAWN	1.57	12.1	50	CW-PG50-C	72	(1829)	72	(1829)
MAWNPO	1.57	12.1	50	CW-PG50-C	89	(2261)	48	(1219)
MAWNMOTO	1.57	12.1	50	CW-PG50-C	96	(2438)	40	(1016)
MAWNMOTO	1.57	12.1	50	CW-PG50-C	92	(2337)	44	(1118)
MCAP	1.57	12.1	50	CW-PG50-FW	108	(2743)	74	(1880)
MCAP	1.57	12.1	50	CW-PG50-FW	74	(1880)	108	(2743)
MCAP	1.57	12.1	50	CW-PG50-FW	102	(2591)	79	(2007)
MCAP	1.57	12.1	50	CW-PG50-FW	79	(2007)	102	(2591)
MCAP	1.57	12.1	50	CW-PG50-FW	96	(2438)	84	(2134)
MCAP	1.57	12.1	50	CW-PG50-FW	84	(2134)	96	(2438)
**Casement Mull (all products)	1.57	7.5	40	CW-PG40-FW	168	(4267)	96	(2438)
**Casement Mull (all products)	1.57	7.5	40	CW-PG40-FW	96	(2438)	168	(4267)

MODERN PRODUCTS ARE AVAILABLE TO 1/32 OF AN INCH.

## Abbreviations

MAWN: MODERN AWNING

MAWNPO: MODERN AWNING PUSH OUT

MAWNMOTO: MODERN AWNING MOTORIZED

MCA: MODERN CASEMENT

MCAPO: MODERN CASEMENT PUSH OUT

MCAMOTO: MODERN CASEMENT MOTORIZED

MCAP: MODERN CASEMENT PICTURE UNIT

# Modern Awning / Modern Casement

## Egress Chart

Modern Automated Awning							
Frame width (inches)		23.500	72.000	72.001	92.000	92.001	96.000
Frame Height (inches)	Max sash opening angle						
	18.000	27 degrees					
19.999							
20.000	36 degrees						
23.999							
24.000							
29.749							
29.750	25 degrees						
35.999							
36.000							
40.000	23 degrees						
40.001							
44.000							

Non-Certified Sizes  
 Custodial Sash Limiter Required

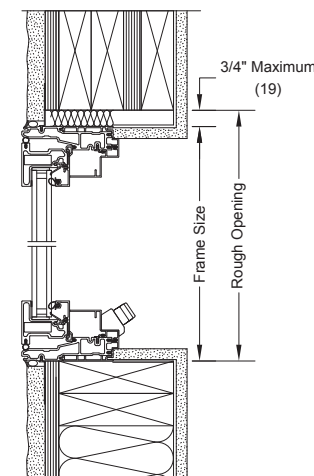
Modern Automated Casement																	
Frame width (inches)		20.000	26.999	27.000	28.000	29.749	29.750	30.000	32.000	34.000	34.999	35.000	36.000	38.000	40.000	42.000	44.000
Frame Height (inches)	Max Sash Opening Angle	54 degrees		75 degrees			69 degrees				55 degrees						
23.500																	
37.999		38" is the minimum frame height for egress*															
38.000																	
40.000																	
42.000																	
44.000																	
46.000																	
72.000																	
72.001																	
92.000																	
92.001																	
96.000																	
96.001																	
102.000																	
102.001																	
108.000																	

Custodial Sash Limiter Required

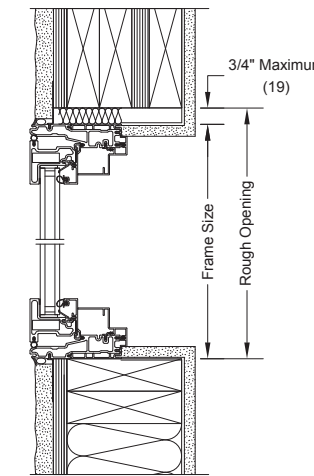
\* 38" is the minimum frame height to use the manual capable lock actuator needed for manual egress

# Modern Awning / Modern Awning Push Out

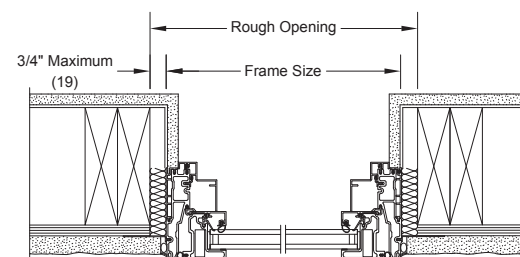
## Construction Details



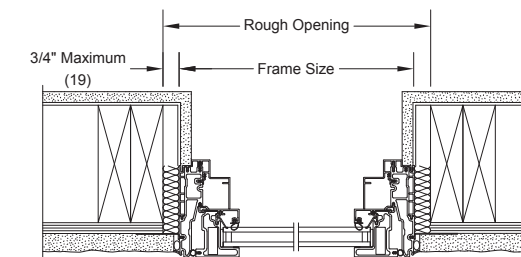
HEAD JAMB AND SILL - CRANK OUT OPERATOR



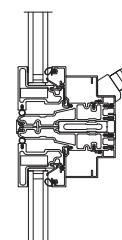
HEAD JAMB AND SILL - PUSH OUT OPERATOR, STATIONARY



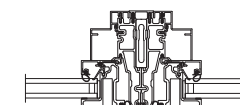
JAMB - CRANK OUT OPERATOR



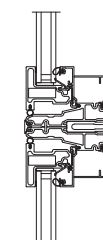
JAMB - PUSH OUT OPERATOR STATIONARY



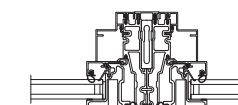
HORIZONTAL MULL - CRANK OUT OPERATOR



VERTICAL MULL - CRANK OUT OPERATOR



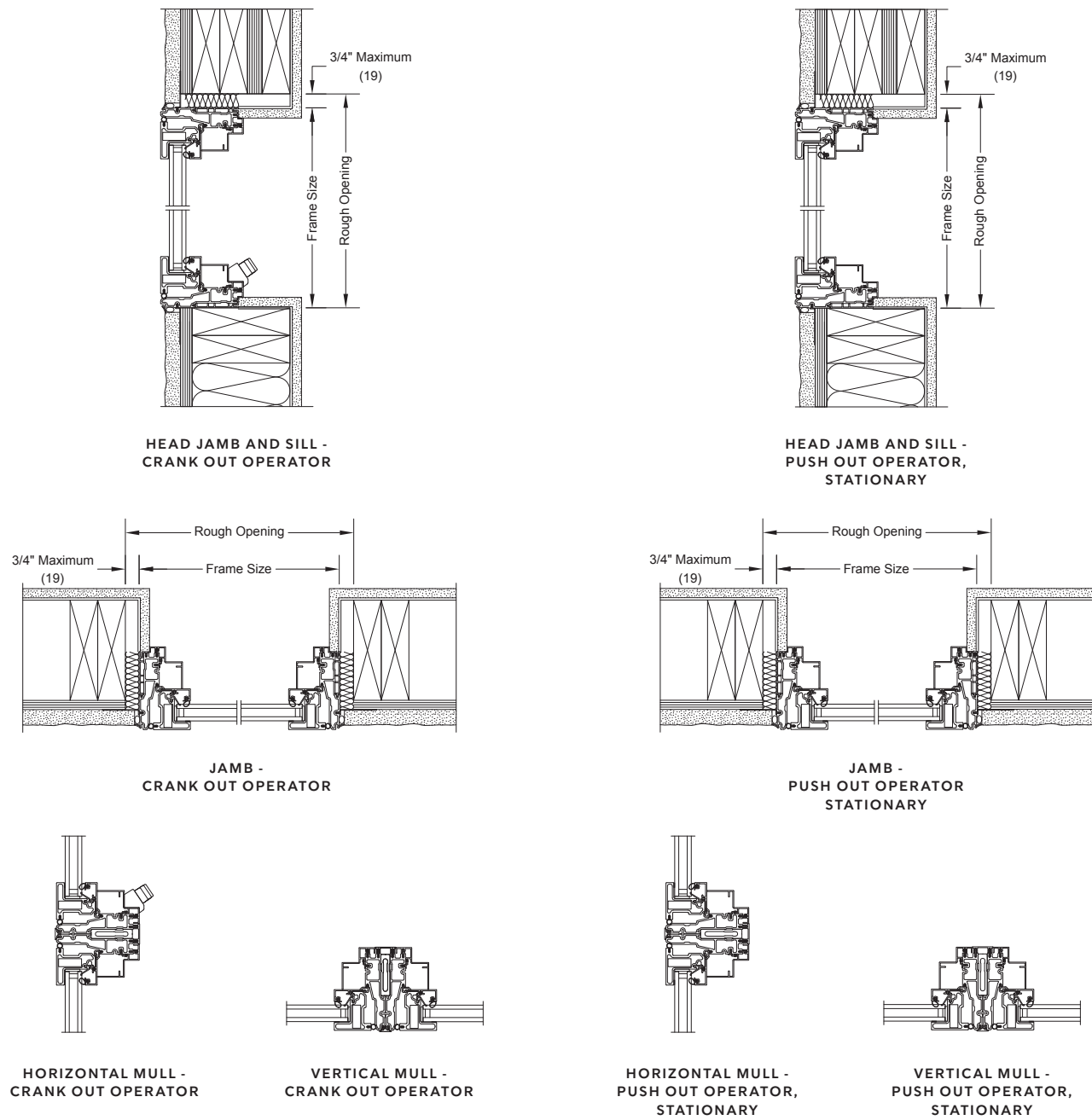
HORIZONTAL MULL - PUSH OUT OPERATOR, STATIONARY



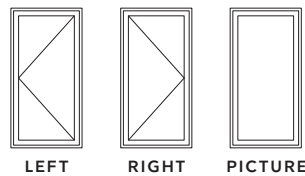
VERTICAL MULL - PUSH OUT OPERATOR, STATIONARY

# Modern Casement / Modern Casement Push Out

## Construction Details

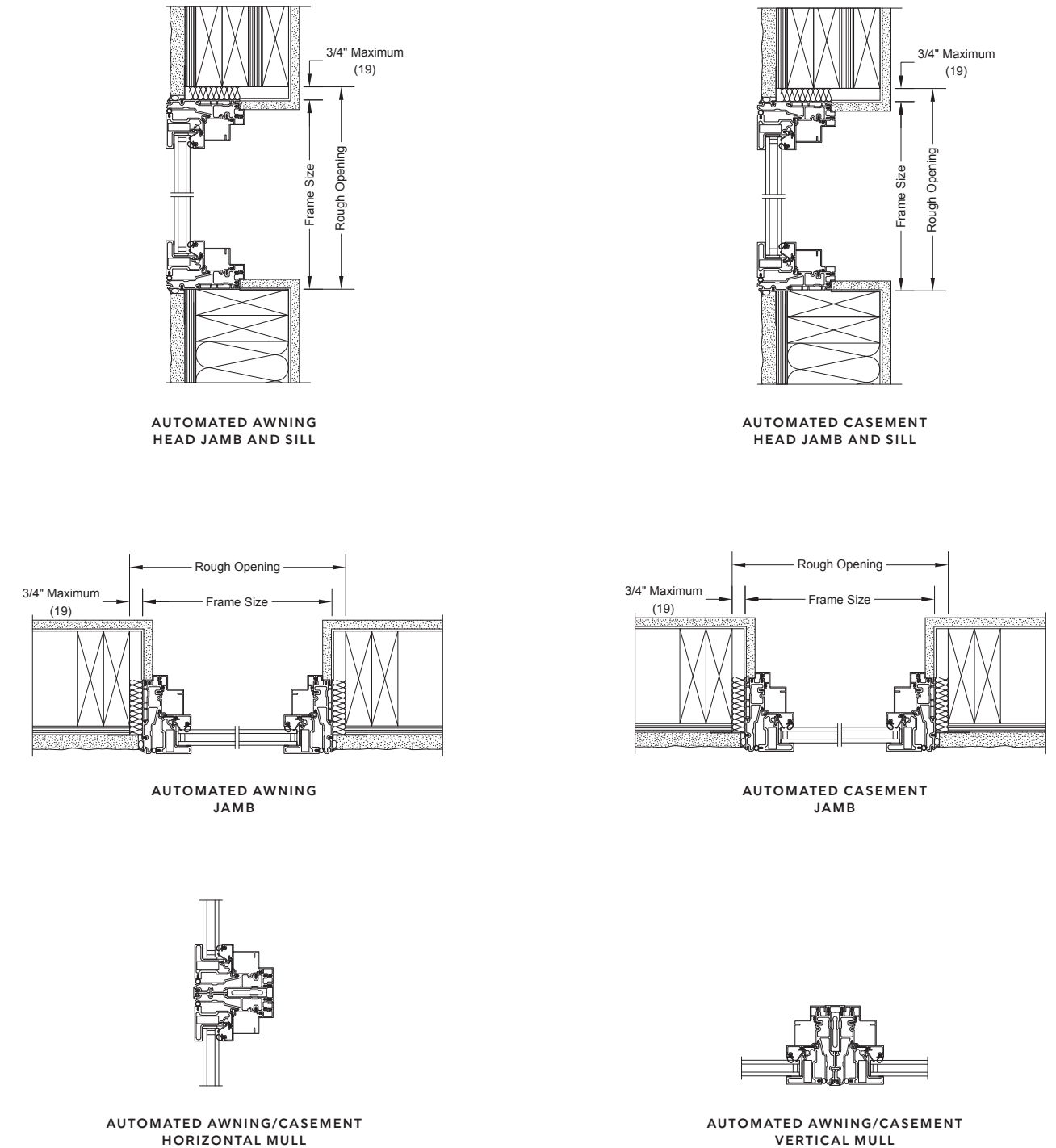


CASEMENT STANDARD OPERATION AS VIEWED FROM THE OUTSIDE



# Modern Automated Awning / Casement

## Construction Details



Please consult your local Marvin representative for more information.  
For further details and drawings visit the 'Technical Specifications' section at Marvin.com.

# Modern Direct Glaze

## Certified Sizes and Ratings

Commercial Rating									
Product	Air Tested to PSF	Water Tested to psf	Structural Tested psf	Performance Grade (PG)	Certification Rating	Max Overall Width		Max Overall Height	
						in	mm	in	mm
Direct Glaze Unit	6.24	12.1	60.0	40	CW-PG40-FW	141 3/8	(3591)	93 3/8	(2372)
Direct Glaze Unit	6.24	12.1	60.0	40	CW-PG40-FW	93 3/8	(2372)	141 3/8	(3591)
Direct Glaze Unit	6.24	12.1	90.0	60	CW-PG60-FW	141 3/8	(3591)	93 3/8	(2372)
Direct Glaze Unit	6.24	12.1	90.0	60	CW-PG60-FW	93 3/8	(2372)	141 3/8	(3591)
*Direct Glaze Assembly	1.57	7.5	60.0	40	CW-PG40-FW	168	(4267)	96	(2438)
*Direct Glaze Assembly	1.57	7.5	60.0	40	CW-PG40-FW	96	(2438)	168	(4267)
**Direct Glaze Unit	6.24	12.1	60.0	40	CW-PG40-FW	121 3/8	(3083)	62 9/16	(1589)
**Direct Glaze Unit	6.24	12.1	60.0	40	CW-PG40-FW	62 9/16	(1589)	121 3/8	(3083)
**Direct Glaze Unit	6.24	12.1	90.0	60	CW-PG60-FW	121 3/8	(3083)	62 9/16	(1589)
**Direct Glaze Unit	6.24	12.1	90.0	60	CW-PG60-FW	62 9/16	(1589)	121 3/8	(3083)
***Direct Glaze Corner Unit	6.24	12.1	60.0	40	CW-PG40-FW	93 3/8	(2372)	141 3/8	(3591)

\* 84" maximum tributary span

\*\* Largest size with annealed glass

\*\*\* Max overall width is for each direct glaze frame om is 93 3/8". Including the corner post, the unit om width would be 94 13/16".

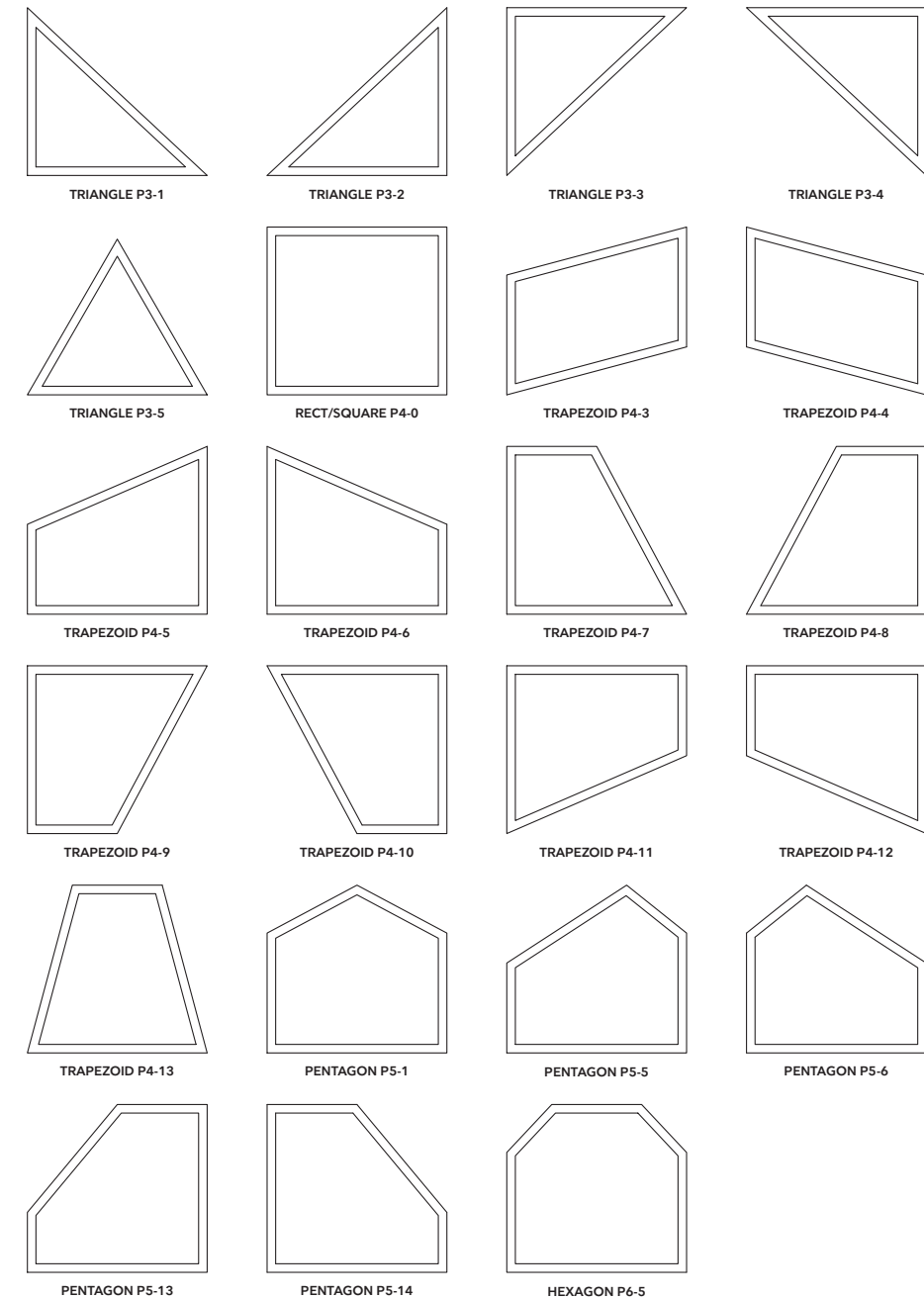
Note: Certification based upon AAMA/WDMA/CSA 101/i.S.2/a440-08.

Corner units are rectangular only.

# Modern Direct Glaze Polygon Shapes

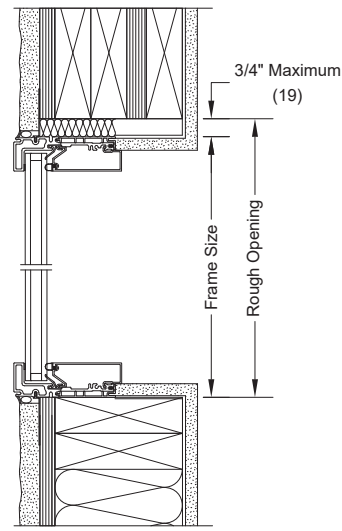
## How to Specify Dimensions

When ordering a trapezoid, triangle, or rectangle window, provide a sketch of the unit as viewed from the exterior, plus include key rough opening dimensions. Example: To order a window of a trapezoid opening, provide the measurements of each side. For other shapes, provide all known dimensions.

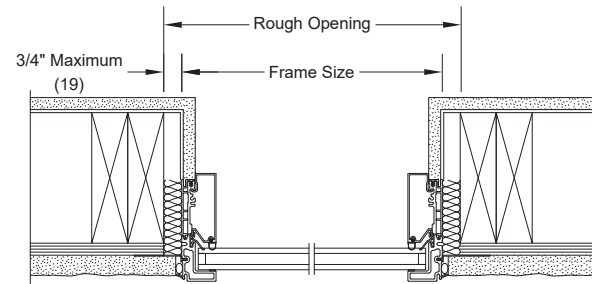


# Modern Direct Glaze Rectangle

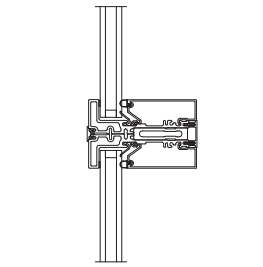
## Construction Details



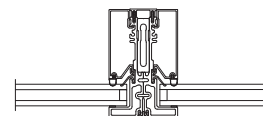
DIRECT GLAZE RECTANGLE HEAD JAMB AND SILL WITH 1 1/4" DUAL PANE



DIRECT GLAZE RECTANGLE JAMB WITH 1 1/4" DUAL PANE



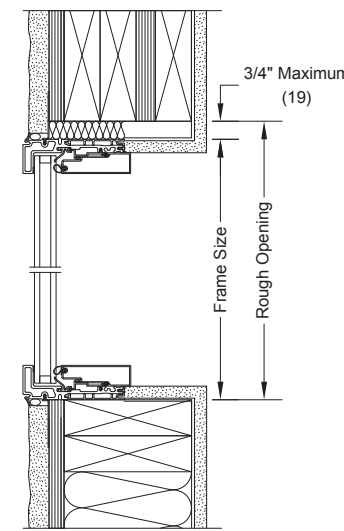
HORIZONTAL MULLION



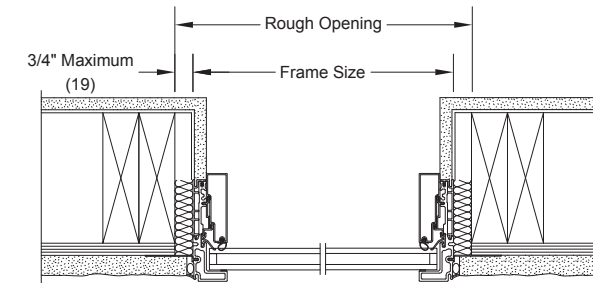
VERTICAL MULLION

# Modern Direct Glaze Polygon

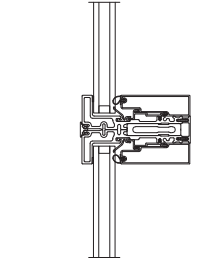
## Construction details



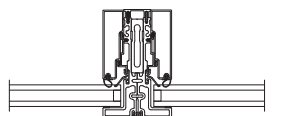
DIRECT GLAZE POLYGON HEAD JAMB AND SILL WITH 1 1/4" DUAL PANE



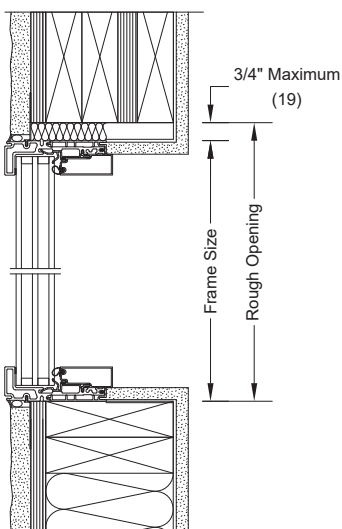
DIRECT GLAZE POLYGON JAMB WITH 1 1/4" DUAL PANE



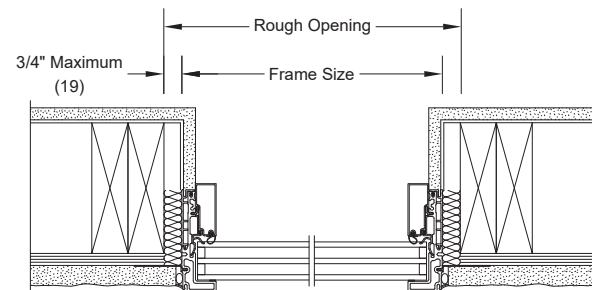
HORIZONTAL MULLION



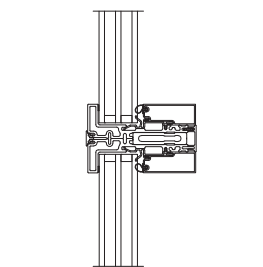
VERTICAL MULLION



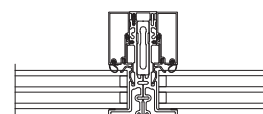
DIRECT GLAZE RECTANGLE HEAD JAMB AND SILL WITH 1 9/16" TRIPLE PANE



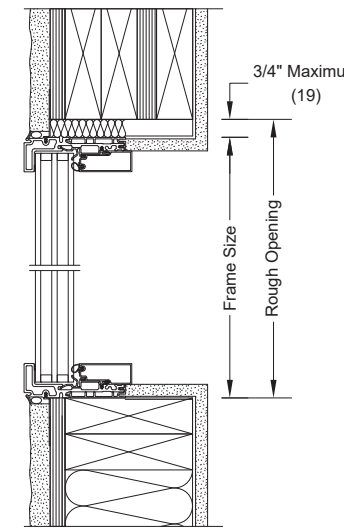
DIRECT GLAZE RECTANGLE JAMB WITH 1 9/16" TRIPLE PANE



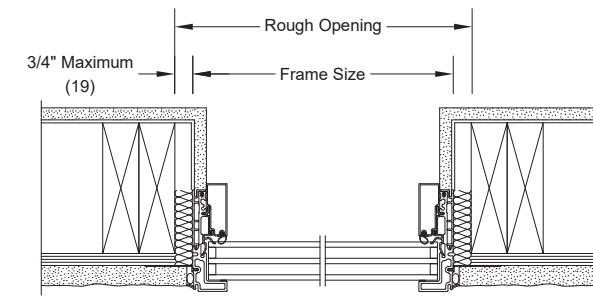
HORIZONTAL MULLION



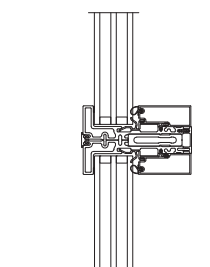
VERTICAL MULLION



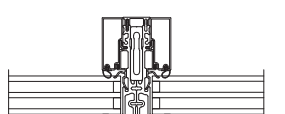
DIRECT GLAZE POLYGON HEAD JAMB AND SILL WITH 1 9/16" TRIPLE PANE



DIRECT GLAZE POLYGON JAMB WITH 1 9/16" TRIPLE PANE



HORIZONTAL MULLION

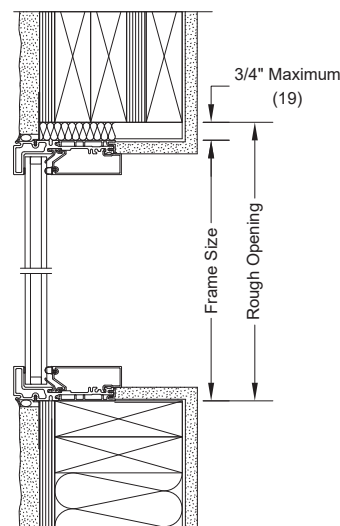


VERTICAL MULLION

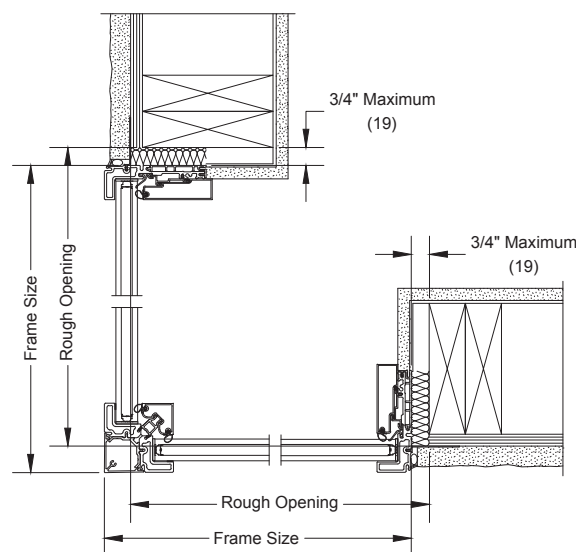
Please consult your local Marvin representative for more information. For further details and drawings visit the 'Technical Specifications' section at [marvin.com](http://marvin.com).

# Modern Direct Glaze Corner Units

## Construction details



**DIRECT GLAZE RECTANGLE HEAD JAMB AND SILL WITH 1 1/4" DUAL PANE**



**DIRECT GLAZE RECTANGLE CORNER UNITS**

Please consult your local Marvin representative for masonry openings that include casings and subsills. For further details and drawings visit the 'Technical Specifications' section at marvin.com.

# Modern Inswing / Outswing Door

## Certified sizes and ratings

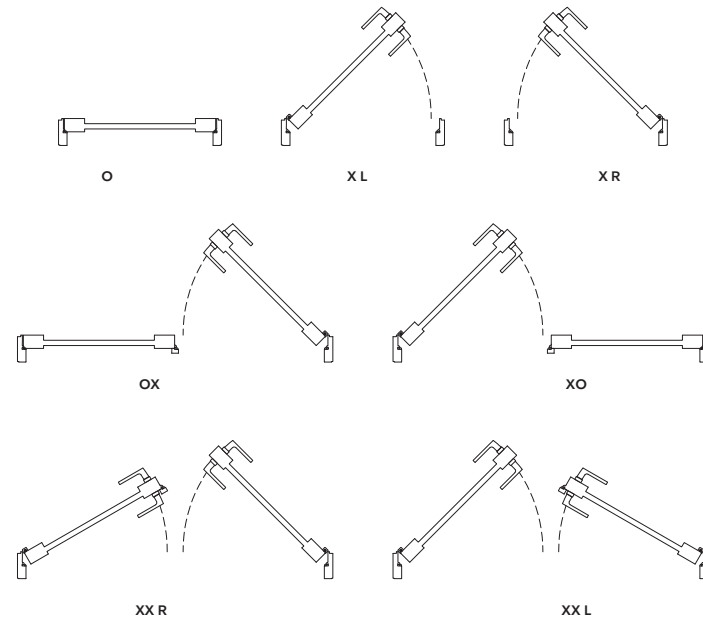
Modern Inswing Door										
Certification based on AAMA/WDMA/CSA 101/I.S.2/A440										
Product	# of Panels	Sill Type	Air Tested to psf	Water Tested to psf	Structural Tested to psf	Performance Grade	Design Pressure	Overall Width	Overall Height	Applicable Configurations
Modern Inswing Door (O)	1	Performance Sill	6.24	6	+ 60 - 60	CW-PG40-FD	+ 40 - 40	99.246	148.018	O
Modern Inswing Door (O)	1	Low Profile Sill	6.24	4.5	+ 52.5 - 52.5	CW-PG30-FD	+ 35 - 35	99.246	148.018	O
Modern Inswing Door (O)	1	Performance Sill	6.24	6	+ 60 - 60	CW-PG40-FD	+ 40 - 40	147.246	100.018	O
Modern Inswing Door (O)	1	Low Profile Sill	6.24	4.5	+ 52.5 - 52.5	CW-PG30-FD	+ 35 - 35	147.246	100.018	O
Modern Inswing Door (XO/OX) Jamb Hinged	2	Performance Sill	6.24	6	+ 60 - 60	LC-PG40-SHD	+ 40 - 40	96	120	X, O, XO, OX
Modern Inswing Door (XO/OX) Jamb Hinged	2	Low Profile Sill	6.24	4.5	+ 45 - 45	LC-PG30-SHD	+ 30 - 30	96	120	X, O, XO, OX
Modern Inswing Door (XX) Jamb Hinged	2	Performance Sill	6.24	6	+ 60 - 60	LC-PG40-SHD	+ 40 - 40	96	120	X, XX
Modern Inswing Door (XX) Jamb Hinged	2	Low Profile Sill	6.24	4.5	+ 45 - 45	LC-PG30-SHD	+ 30 - 30	96	120	X, XX

Modern Outswing Door										
Certification based on AAMA/WDMA/CSA 101/I.S.2/A440										
Product	# of Panels	Sill Type	Air Tested to psf	Water Tested to psf	Structural Tested to psf	Performance Grade	Design Pressure	Overall Width	Overall Height	Applicable Configurations
Modern Outswing Door (O)	1	Performance Sill	6.24	6	+ 60 - 60	CW-PG40-FD	+ 40 - 40	99.246	148.018	O
Modern Outswing Door (O)	1	Low Profile Sill	6.24	4.5	+ 45 - 45	CW-PG30-FD	+ 30 - 30	99.246	148.018	O
Modern Outswing Door (O)	1	Performance Sill	6.24	6	+ 60 - 60	CW-PG40-FD	+ 40 - 40	147.246	100.018	O
Modern Outswing Door (O)	1	Low Profile Sill	6.24	4.5	+ 45 - 45	CW-PG30-FD	+ 30 - 30	147.246	100.018	O
Modern Outswing Door (XO/OX) Jamb Hinged	2	Performance Sill	6.24	6	+ 60 - 60	LC-PG40-SHD	+ 40 - 40	96	120	X, O, XO, OX
Modern Outswing Door (XO/OX) Jamb Hinged	2	Low Profile Sill	6.24	4.5	+ 45 - 45	LC-PG30-SHD	+ 30 - 30	96	120	X, O, XO, OX
Modern Outswing Door (XX) Jamb Hinged	2	Performance Sill	6.24	6	+ 60 - 60	LC-PG40-SHD	+ 40 - 40	96	120	X, XX
Modern Outswing Door (XX) Jamb Hinged	2	Low Profile Sill	6.24	4.5	+ 45 - 45	LC-PG30-SHD	+ 30 - 30	96	120	X, XX

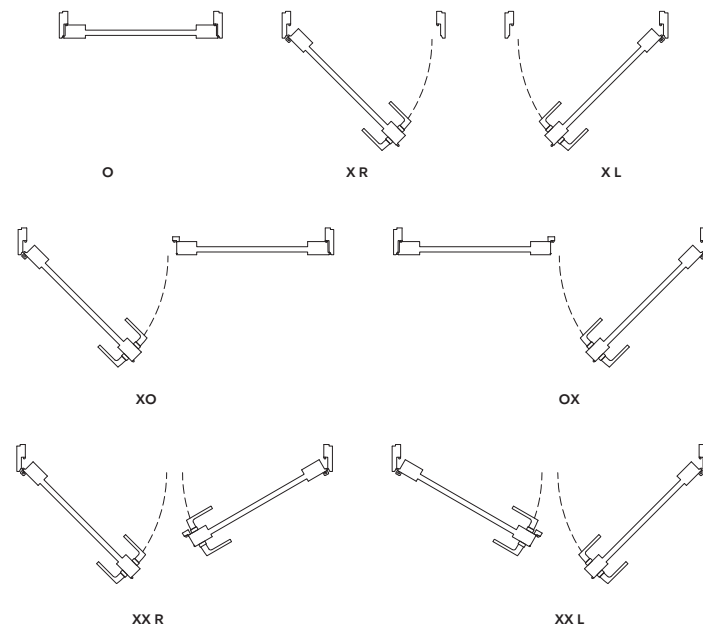
**MODERN INSWING DOOR: MID**  
**MODERN OUTSWING DOOR: MOD**

# Modern Inswing / Outswing Operating Configurations

## INSWING DOOR CONFIGURATIONS



## OUTSWING DOOR CONFIGURATIONS

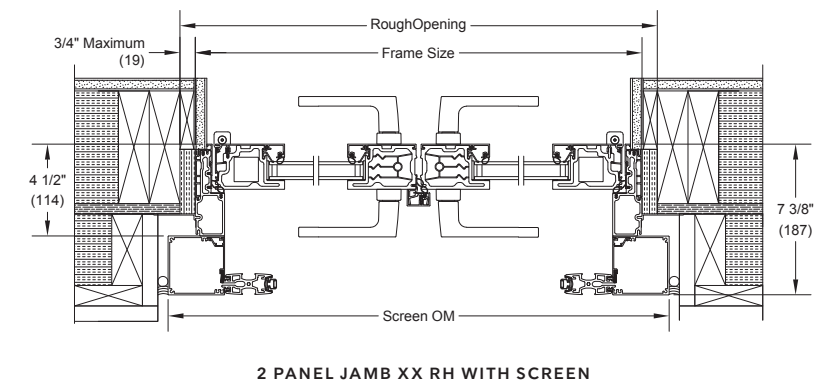
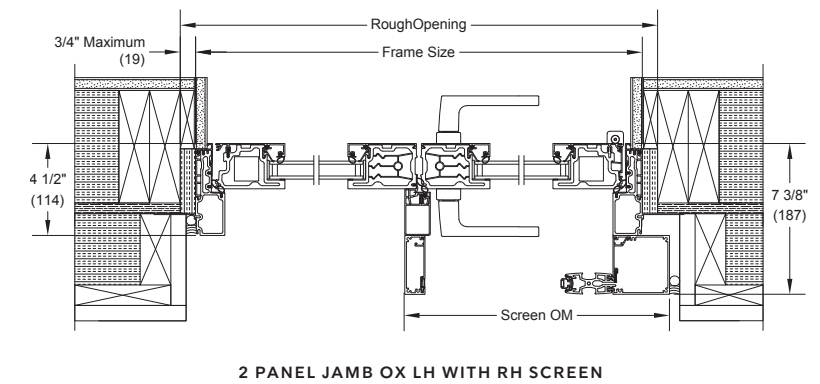
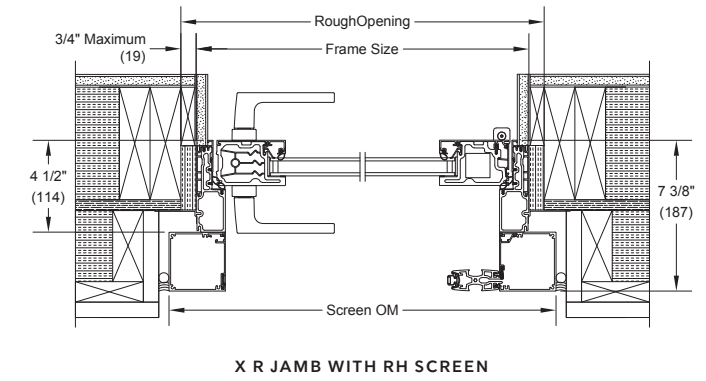
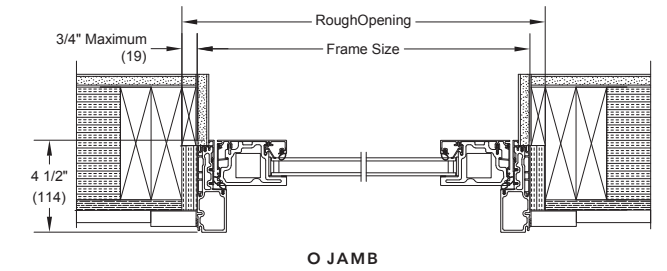
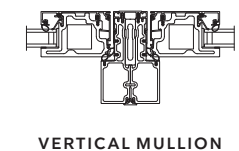
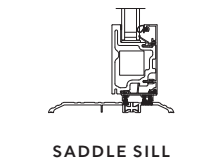
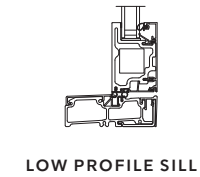
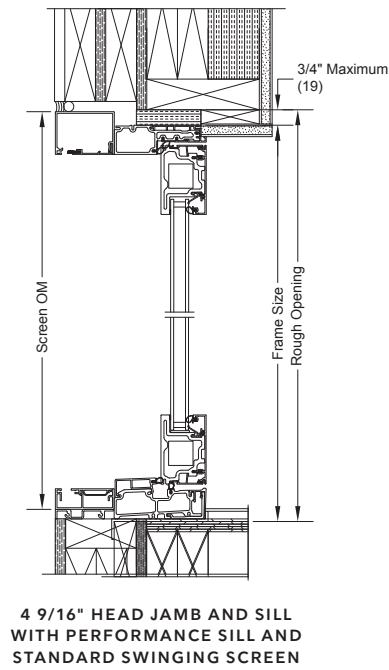


O: STATIONARY X: OPERATING L: LEFT HAND R: RIGHT HAND  
 Please consult your local Marvin representative for more information.  
 For further details and drawings visit the 'Technical Specifications' section at marvin.com.

**MODERN INSWING DOOR: MID**  
**MODERN OUTSWING DOOR: MOD**

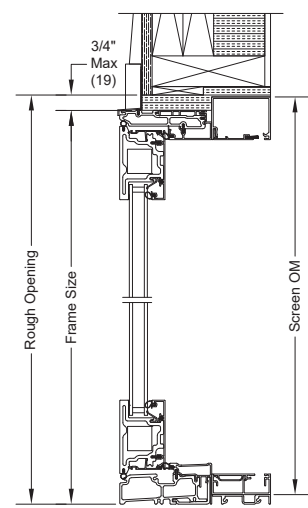
# Modern Inswing Door

## Construction details

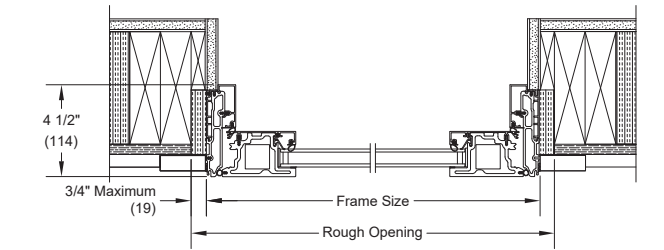


# Modern Outswing Door

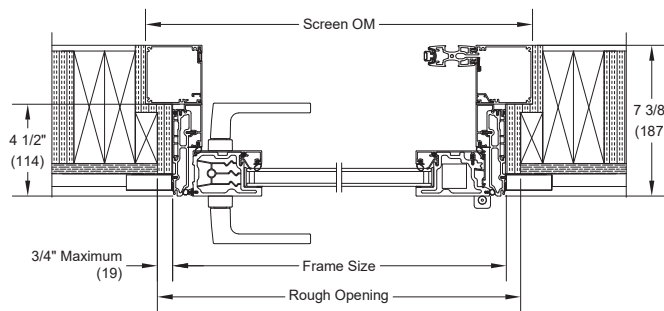
## Construction details



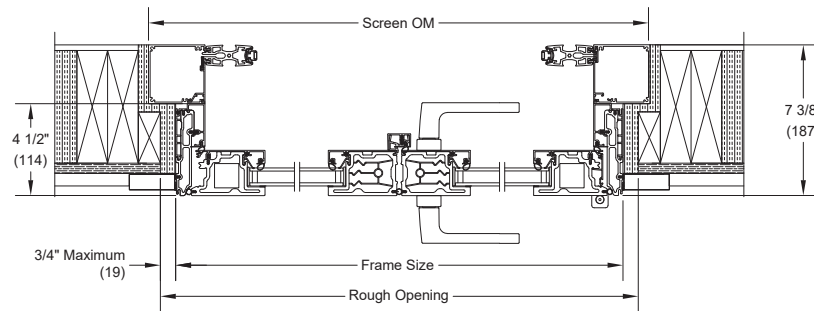
4 9/16" HEAD JAMB AND SILL WITH PERFORMANCE SILL



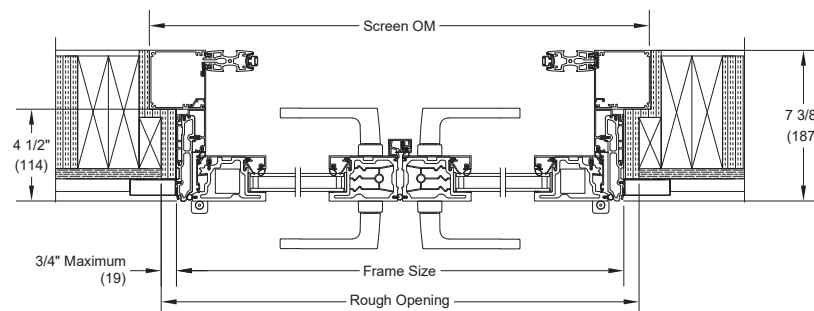
O JAMB



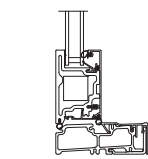
X L JAMB WITH RH SCREEN



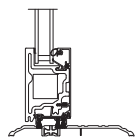
2 PANEL OX JAMB OX WITH SCREEN



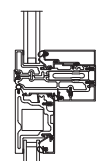
2 PANEL XX JAMB WITH SCREEN



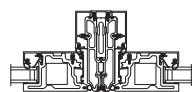
LOW PROFILE SILL



SADDLE SILL



HORIZONTAL MULLION



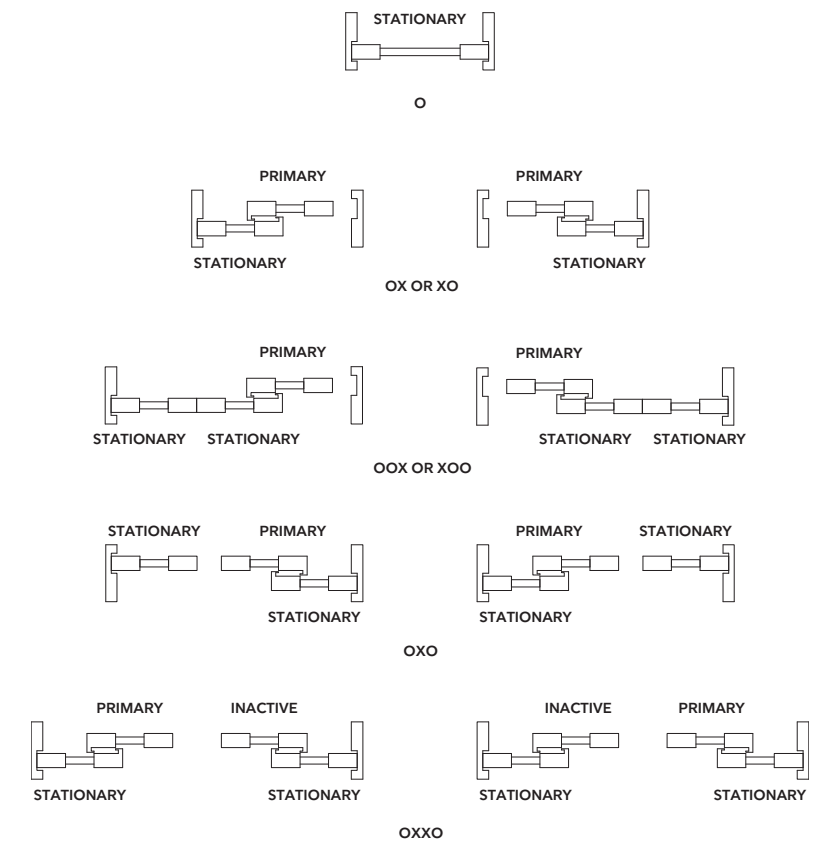
VERTICAL MULLION

# Modern Sliding Door

## Certified sizes and ratings and configurations

Product	Air Tested to psf	Water Tested to psf	Design Pressure (DP)	Certification Rating	Overall Width		Overall Height	
					in	mm	in	mm
Sliding Door (O)	1.57	6	40	LC-PG40-SD	63	(1600)	122 29/32	(3122)
Sliding Door (XO/OX)	1.57	6	40	LC-PG40-SD	120 3/32	(3050)	122 29/32	(3122)
Sliding Door (XOO/OOX)	1.57	6	40	LC-PG40-SD	181 1/16	(4599)	122 29/32	(3122)
Sliding Door (O-XO/OX-O)	1.57	6	40	LC-PG40-SD	181 1/16	(4599)	122 29/32	(3122)
Sliding Door (OX-XO)	1.57	6	40	LC-PG40-SD	238 3/16	(6050)	122 29/32	(3122)

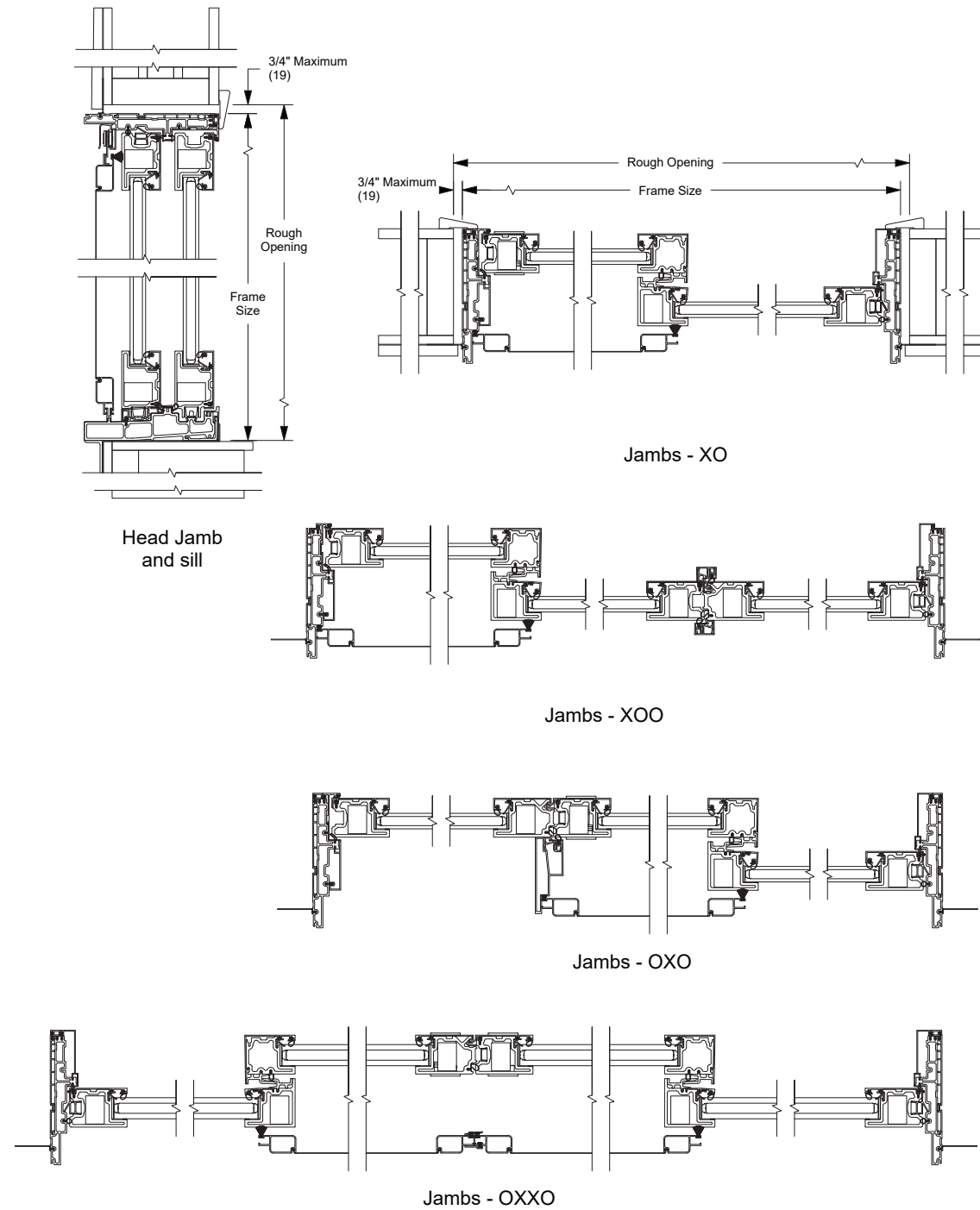
## CONFIGURATIONS



MODERN SLIDING DOOR: MSD

# Modern Sliding Door

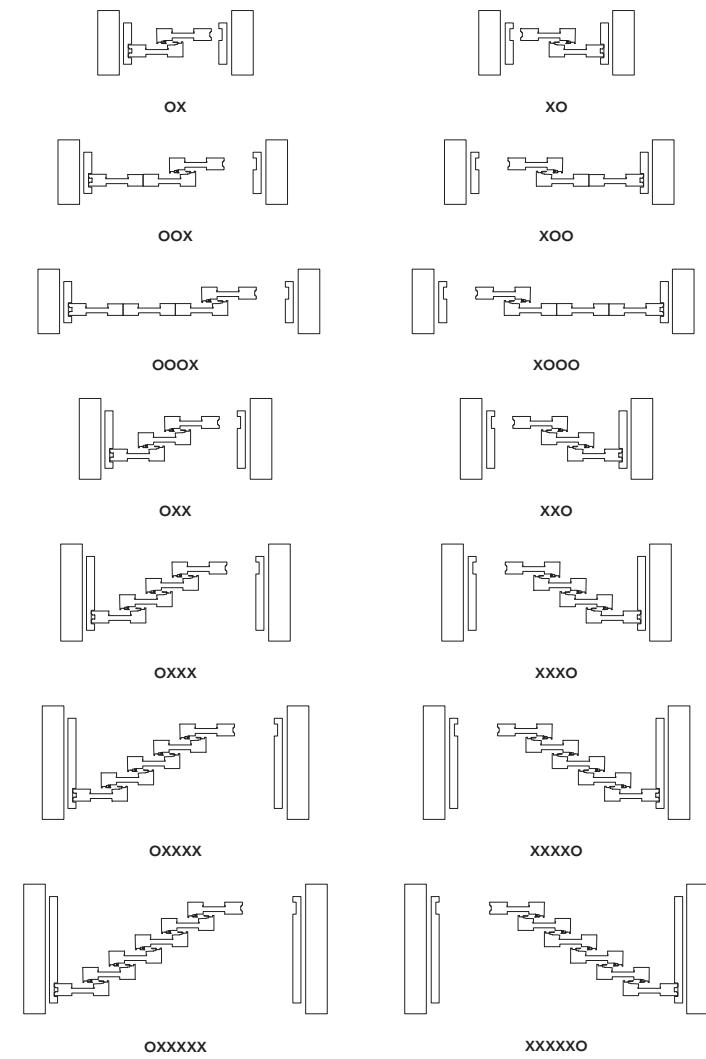
## Construction details



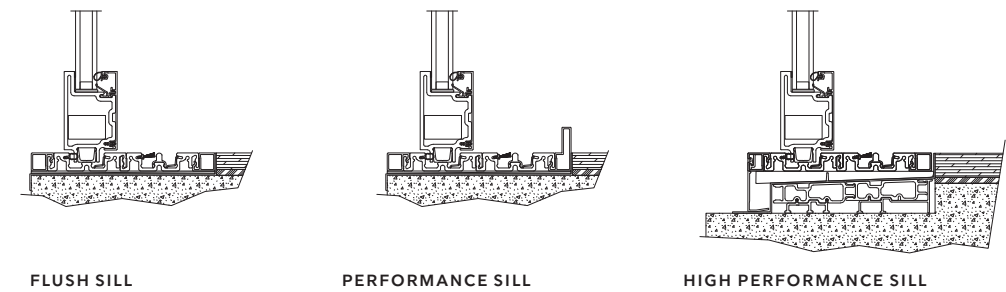
Please consult your local Marvin representative for more information.  
For further details and drawings visit the 'Technical Specifications' section at Marvin.com.

# Modern Multi-Slide Door

## Configurations - Uni-Directional Stacked



### OPTIONAL SILLS - STACKED AND POCKET UNITS

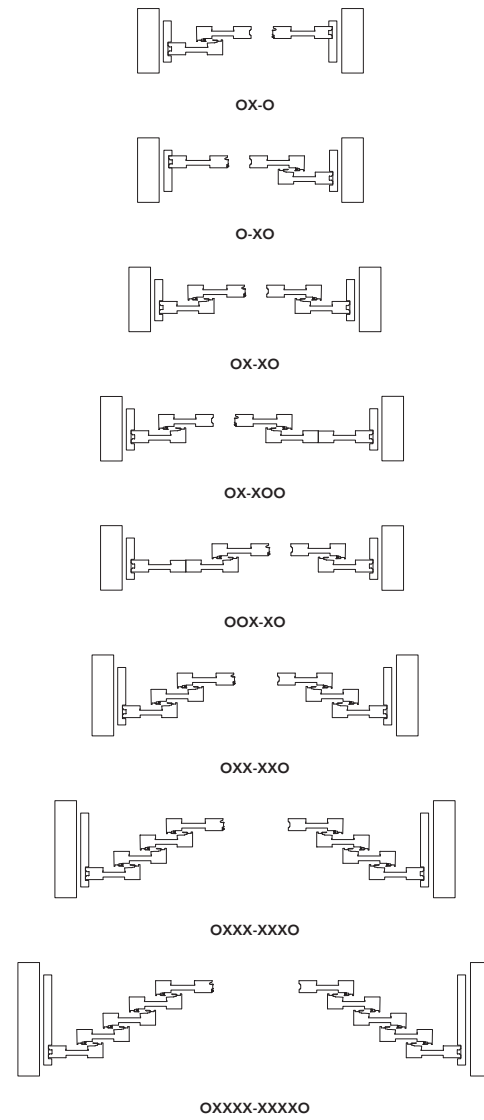


ULTIMATE MULTI-SLIDE DOOR POCKET: UMSD PKT  
ULTIMATE MULTI-SLIDE DOOR STACKED: UMSD STK

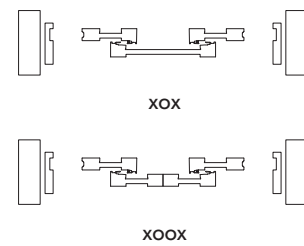
# Modern Multi-Slide Door

## Configurations - Bi Parting and Center Stacked

### BI-PARTING



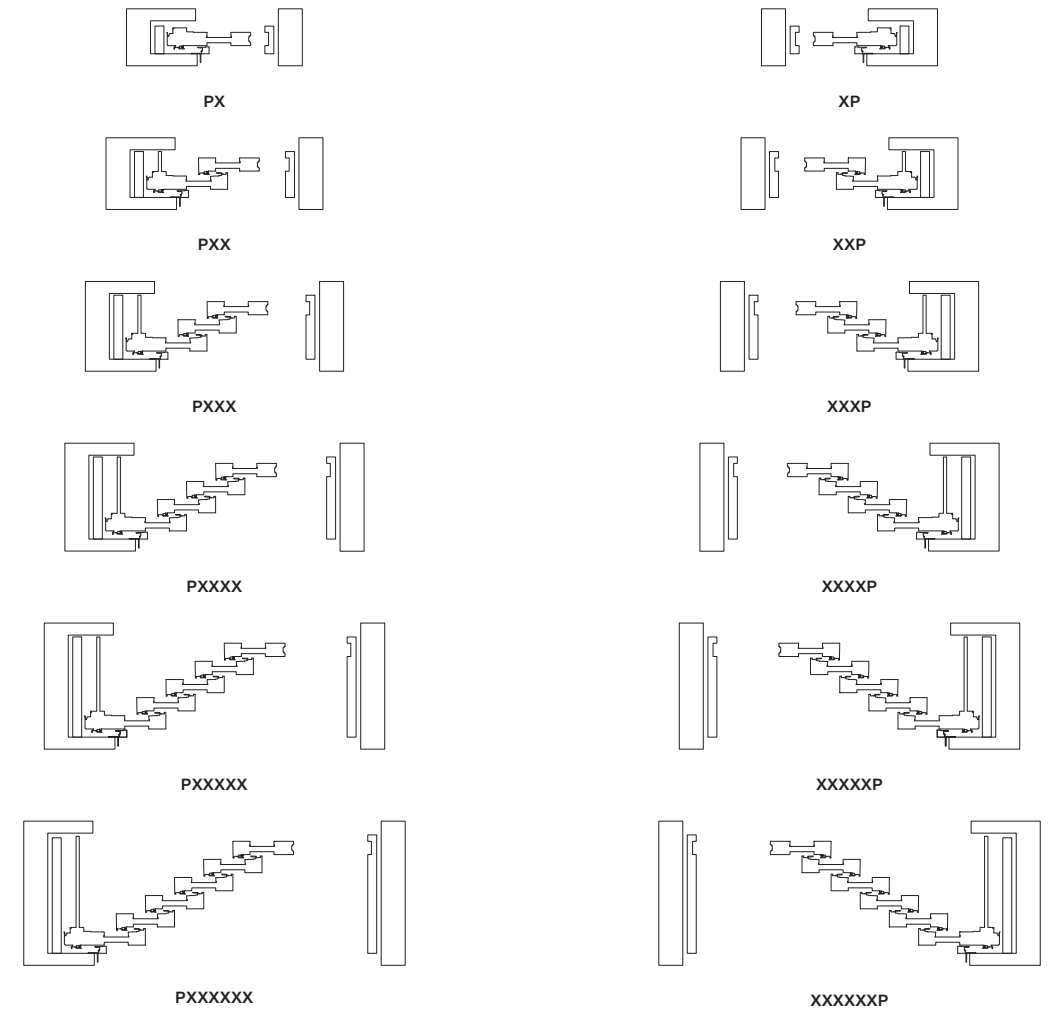
### CENTER STACKED



Please consult your local Marvin representative for more information.  
For further details and drawings visit the 'Technical Specifications' section at [marvin.com](http://marvin.com).

# Modern Multi-Slide Door

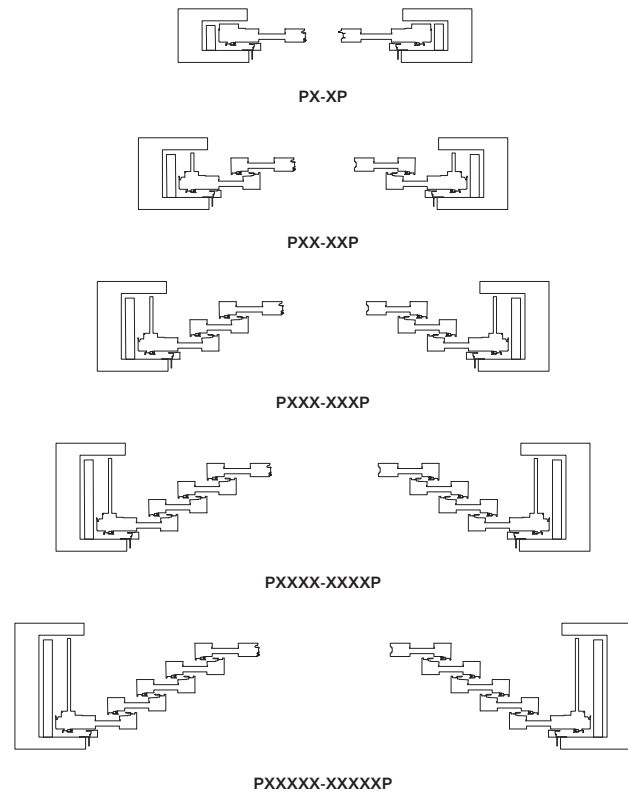
## Configurations - Uni-Directional Pocket



Please consult your local Marvin representative for more information.  
For further details and drawings visit the 'Technical Specifications' section at [marvin.com](http://marvin.com).

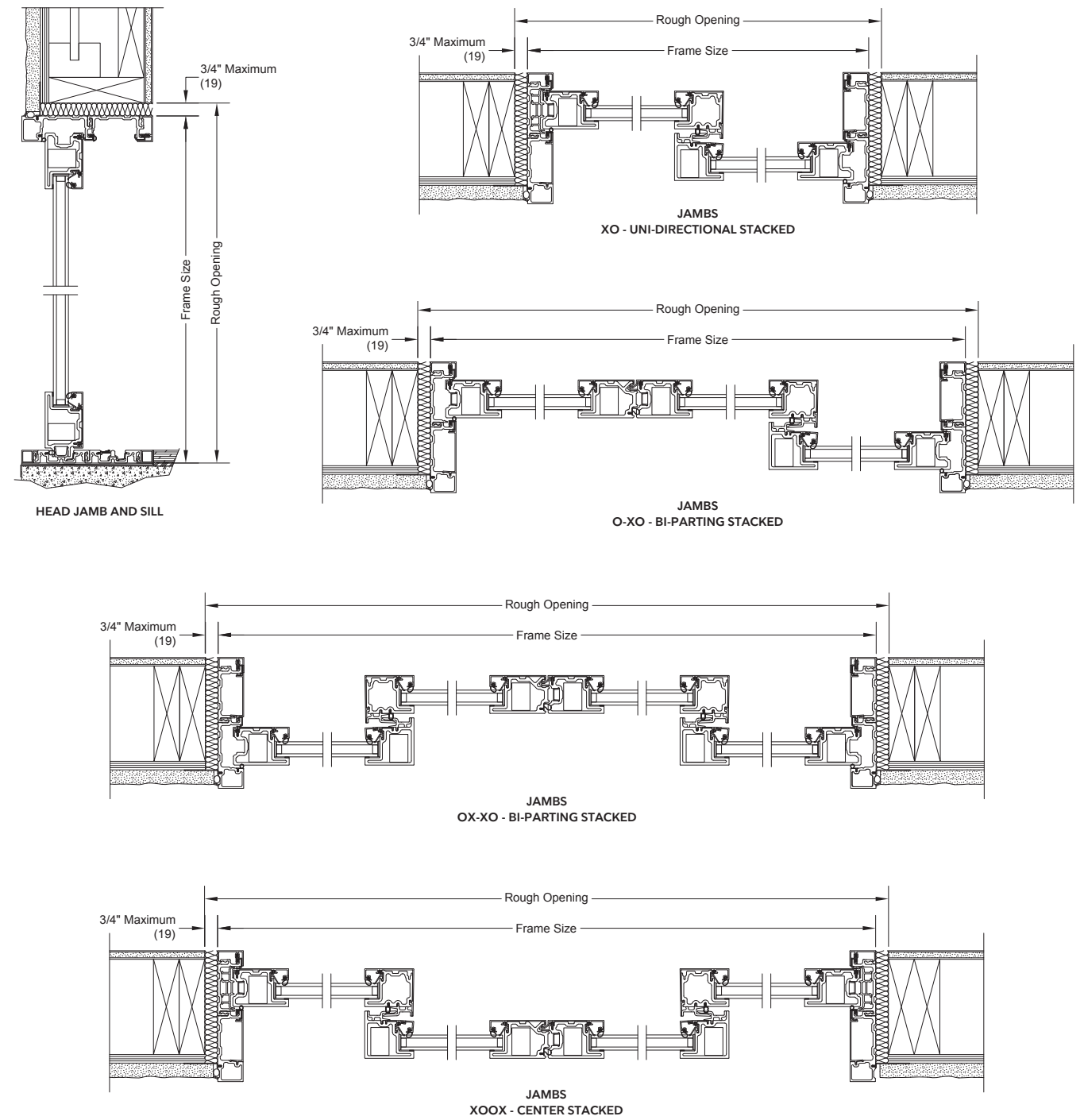
# Modern Multi-Slide Door

## Configurations - Bi Parting Pocket



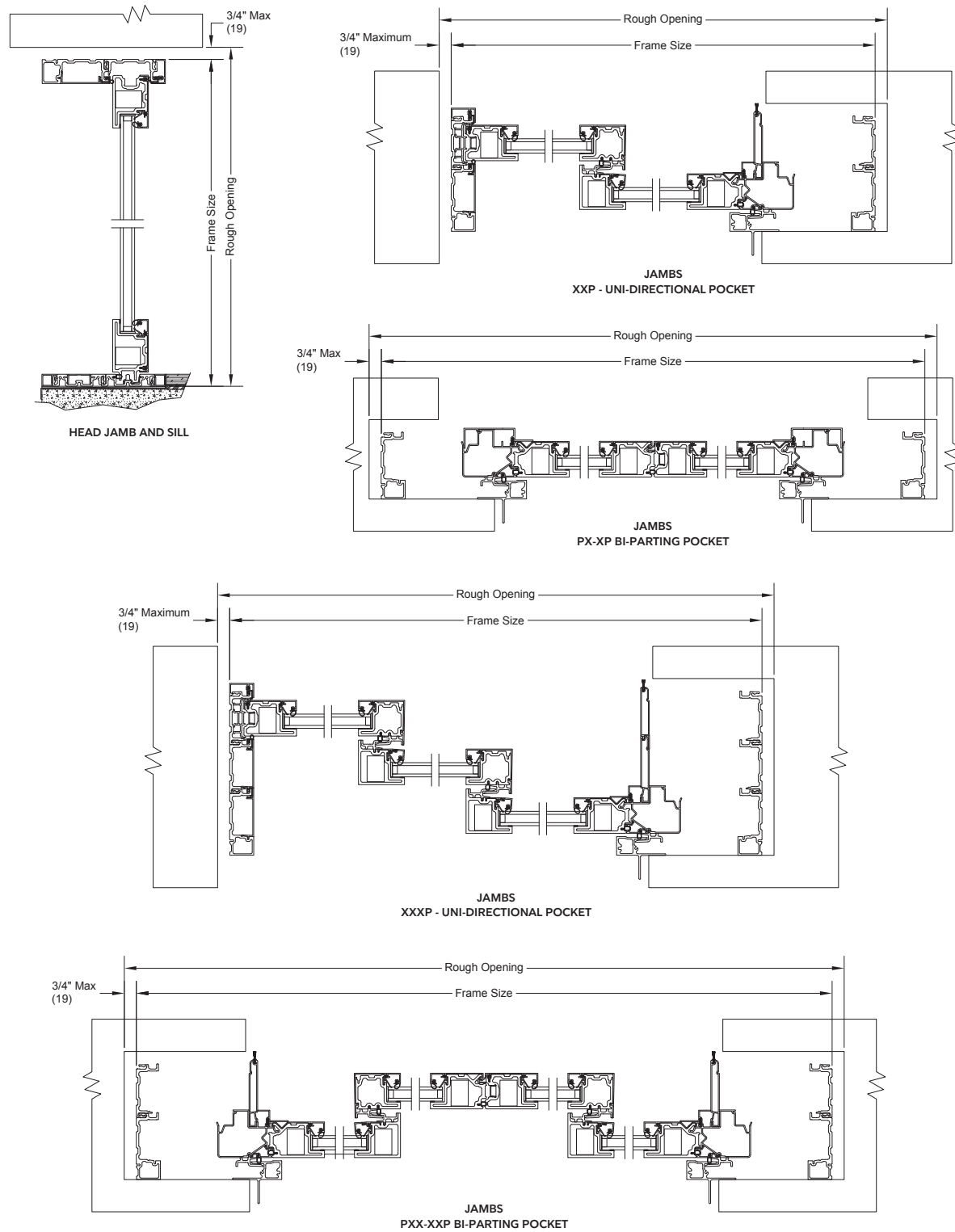
# Modern Multi-Slide Door

## Construction Details - Uni-Directional and Bi Parting Stacked



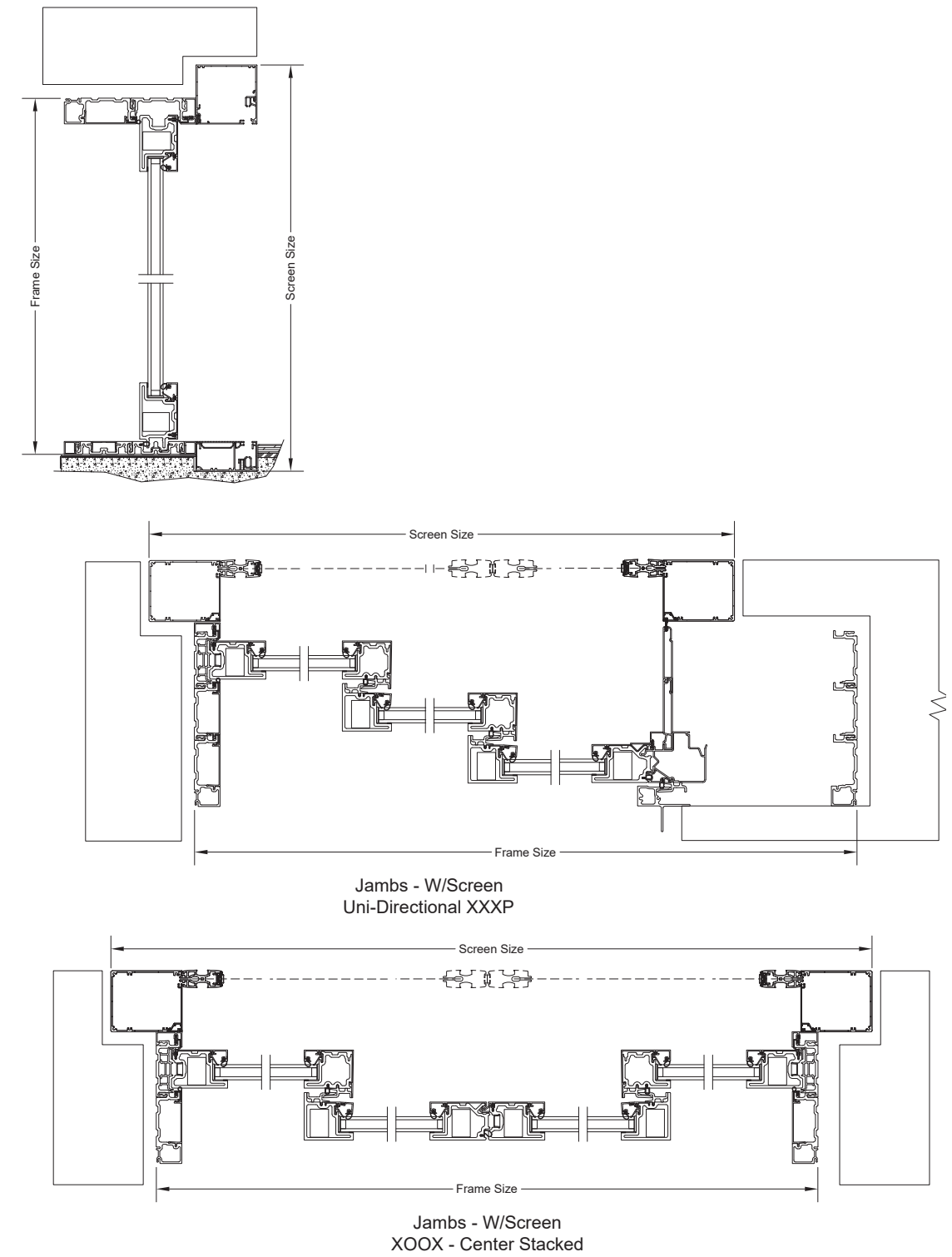
# Modern Multi-Slide Door

## Construction Details - Uni-Directional and Bi Parting Pocket



# Modern Multi-Slide Door Screens

## Construction Details - Uni-Directional and Center Stacked





CASEMENT,  
AWNING WINDOWS  
Ebony



Since 1912, Marvin has been a family-owned and -led company, with a legacy of innovation and commitment to the highest quality. We understand the unique opportunity windows and doors have to improve our spaces and how we feel in them. That's why we never stop pushing what's possible and inventing new solutions to channel fresh air, enhance light quality, and connect with the world around us.

**MARVIN.COM**

© 2026 Marvin Lumber and Cedar Co., LLC. All rights reserved.  
® Registered trademark of Marvin Lumber and Cedar Co., LLC.

Information regarding status of patent applications, as well as product features and specifications, is subject to change without notice.

Part 19983466. January 2026.

Colors shown in printed materials are simulations and may not precisely duplicate product or finish colors. Contact your local Marvin dealer to view actual product and finish color samples.