

ATTENTION!

Each panel has a correct assembly order, position and orientation.

Please refer to these instructions and the stickers attached to each panel for correct assembly.



A

C

F

D

G

B

E

A. Front Door

B. Side Door

C. Side Panel

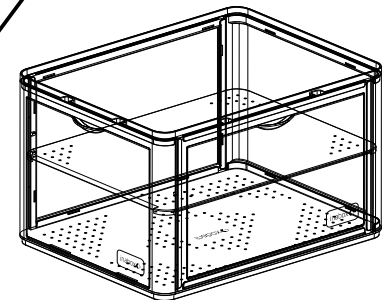
D. Back Panel

E. Base Panel

F. Top Panel

G. Adjustable Shelf

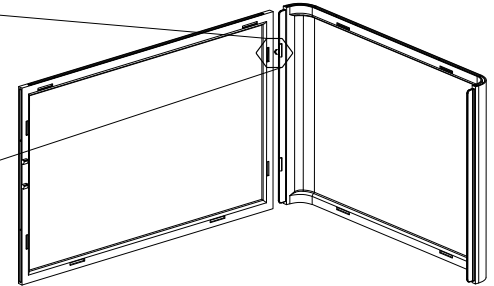
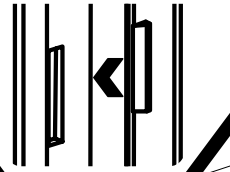
TURN PAGE OVER FOR ASSEMBLY INSTRUCTIONS



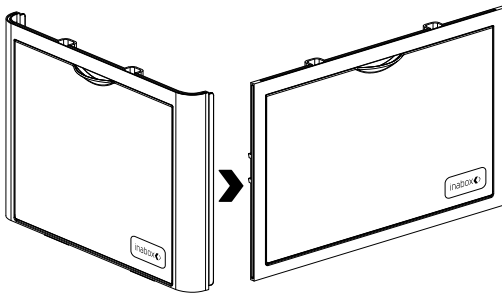
Helpful Tip: Roughly lay out the panels on a soft surface in their correct position and orientation before connecting them together.

ATTENTION!

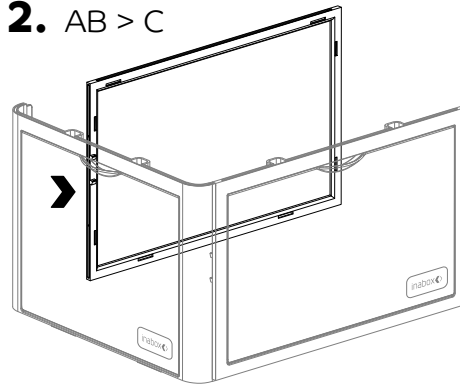
Align tabs carefully into slots and press firmly until you hear a "click" sound.



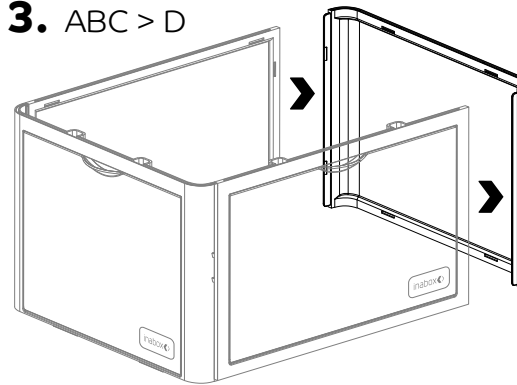
1. A > B



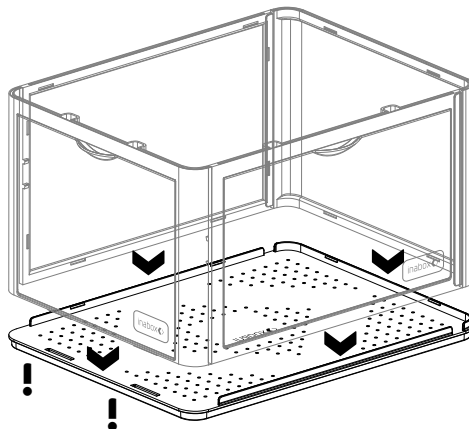
2. AB > C



3. ABC > D

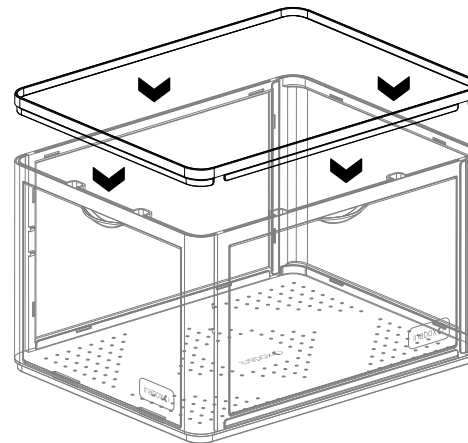


4. ABCD > E!



!
Ensure correct orientation of panel E

5. F > ABCDE



6. OPTIONAL
Insert Panel G at one of two positions

