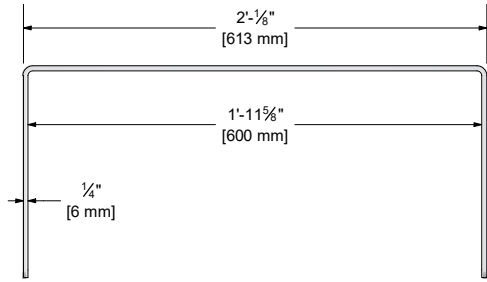
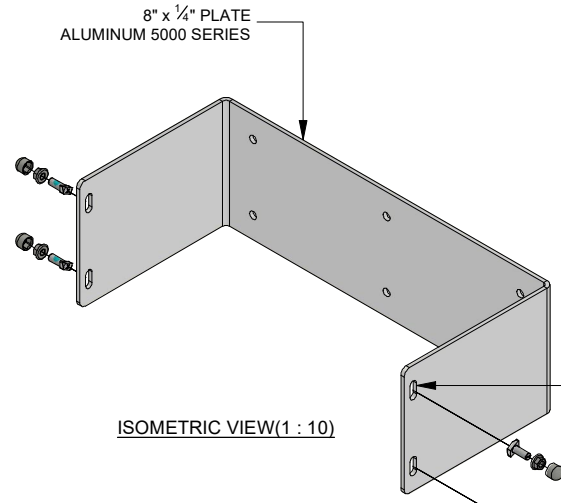


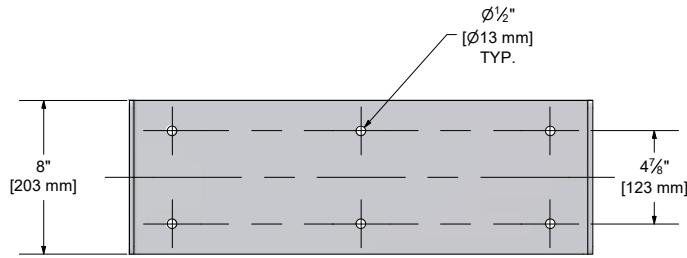
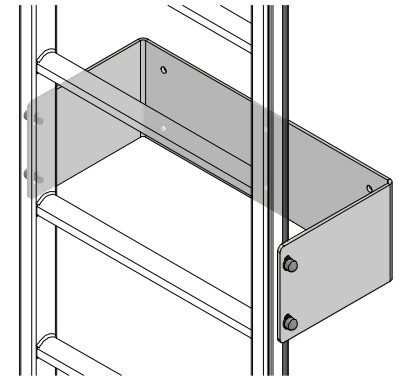
PROJECT REF: _____
 CONTRACTOR: _____
 APPROVED BY: _____
 SIGN HERE: _____



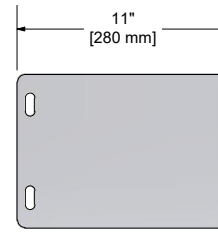
TOP VIEW(1 : 10)



ISOMETRIC VIEW(1 : 10)



FRONT VIEW (1 : 10)



SIDE VIEW (1 : 10)

MOUNT TO REAR SLOT
 ON KATTSAFE LADDER STILE
 M10 LOCKING T-BOLT
 S/S

Kattsafe[®]

3921 PERRY BLVD TEL: 888 637 7872
 WHITESTOWN, IN 46075 SALES@KATTSAFE.COM

THIS DRAWING REMAINS THE PROPERTY OF KATTSAFE[®]
 AND MAY NOT BE CHANGED WITHOUT WRITTEN PERMISSION

DESCRIPTION
**LADDER OFF-FLOOR
 MOUNT BRACKET**

MATERIAL
ALUMINUM

PRODUCT CODE
LD421.280S

FINISH
MILL

1 / 13 PAGE 1
 OF 1

DRN: ALD DATE: 3/28/24 SIZE: A

DWG No. LD421.280S.TD REV.

REV	DATE	BY	COMMENTS