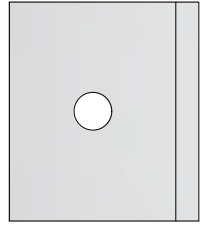
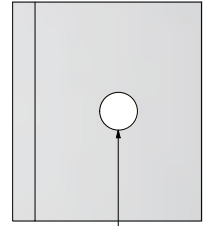


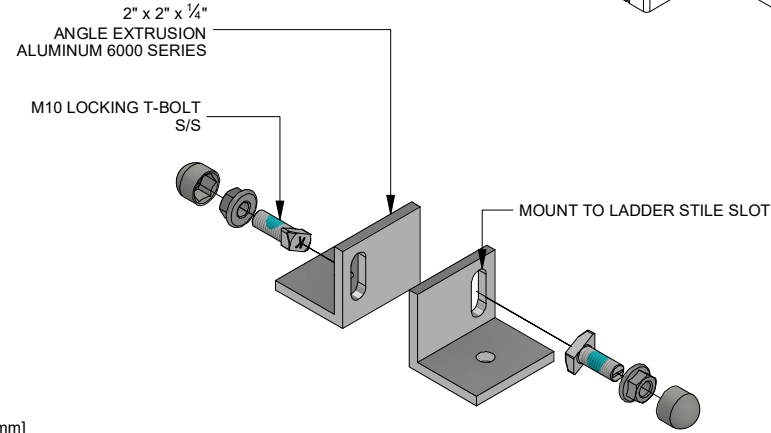
PROJECT REF: _____
 CONTRACTOR: _____
 APPROVED BY: _____
 SIGN HERE: _____



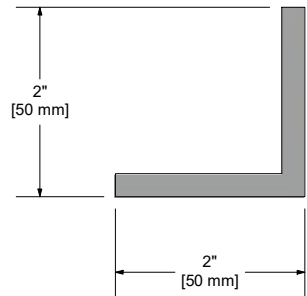
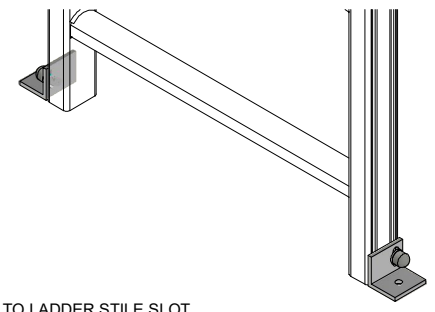
TOP VIEW (1 : 2)



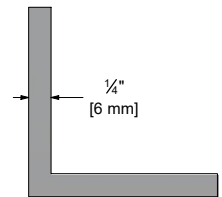
$\phi\frac{3}{8}$ "
[Ø10 mm]



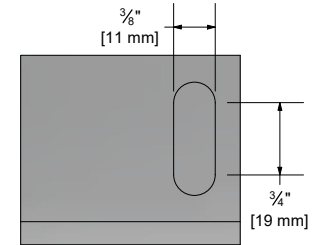
ISOMETRIC (1 : 4)



FRONT VIEW (1 : 2)



$\frac{1}{4}$ "
[6 mm]



SIDE VIEW (1 : 2)

Kattsafe
 3921 PERRY BLVD
 WHITESTOWN, IN 46075
 TEL: 888 637 7872
 SALES@KATTSAFE.COM

DESCRIPTION
**LADDER FLOOR MOUNT
 BRACKET KIT**

MATERIAL
ALUMINUM

PRODUCT CODE
LD419S

FINISH
MILL

1 : 10
 PAGE 1 OF 1

DRN: ALD DATE: 3/28/24 SIZE: A
 DWG No. LD419S.TD REV.

REV	DATE	BY	COMMENTS