

Kattsafe®

# NEWSLETTER

Our newsletter contains an inside look into Kattsafe, a recap of key events from Q1, and what you can look forward to in the upcoming months.

Q1 Fiscal  
Year 2026



# SIMPLER SYSTEMS ARE SAFER SYSTEMS.



As we kick off 2026, we're energized by the momentum ahead and proud of everything we accomplished last year. Since 1975, our mission has remained the same: to be the world's most trusted height access and fall protection company.

2026 is already underway—and we're not slowing down. With new innovations, expanded capabilities, and a sharper focus on simplifying safety, we're continuing to push forward while staying grounded in what matters most: ensuring those working at heights return home safely.

Here's to another year of saving lives—and simplifying safety.

*Wyatt Lynes*

Wyatt Lynes  
CEO North America

Thank you for your continued support.

Here's to a another year of innovation, growth, and safer systems.

 **FIXFASTUSA**



**Kattsafe**<sup>®</sup>

## CELEBRATING 2 YEARS SINCE THE REBRAND

February marks two years since we officially rebranded and unified under the Kattsafe name—and what a journey it's been.

While the look may have changed, our mission hasn't. We're still the same trusted team delivering innovative, easy-to-use height access and fall protection systems that put safety first. This rebrand was more than a new name—it was a step forward in building a global standard for simple, reliable safety.

Here's to everything we've accomplished together—and to what's ahead.

### Summary of Key Changes

- No more sub-brand names or logos
- No more writing in all caps

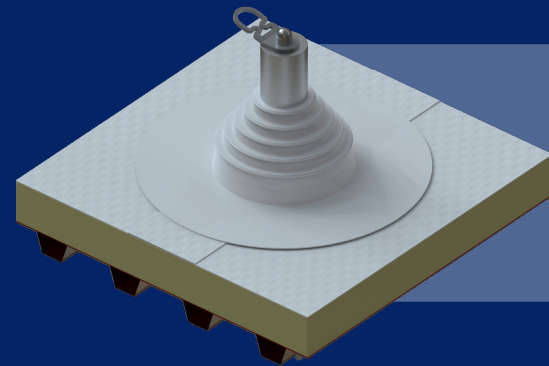


Check out our new look!  
View our rebrand page

## ANCHOR POINTS & HORIZONTAL LIFELINES

This quarter marks the launch of our new Connect range—a full line of anchor points and lifeline systems designed to bring more flexibility, more coverage, and more confidence to rooftop safety. **Seven new products. Endless configurations.**

Built to integrate seamlessly with our existing systems and simplify compliance from design through install. Explore product details, specs, and resources by scanning the QR code.



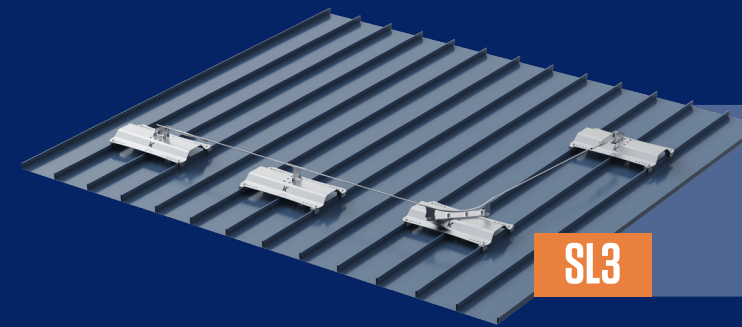
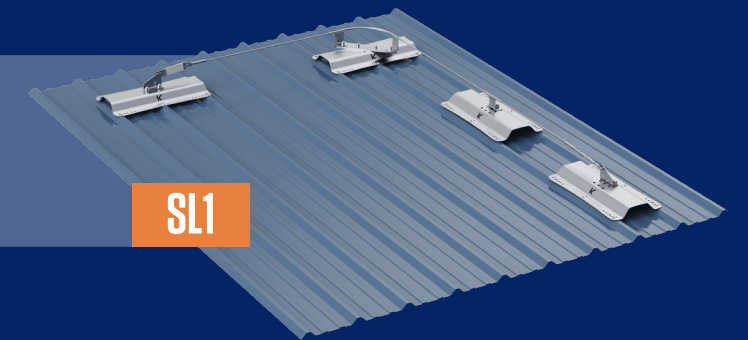
**KSA.012**

**EXTENDED ALUMINUM  
POST ANCHOR**



**LIFELINE FOR R PANEL  
ROOFS**

**SL1**



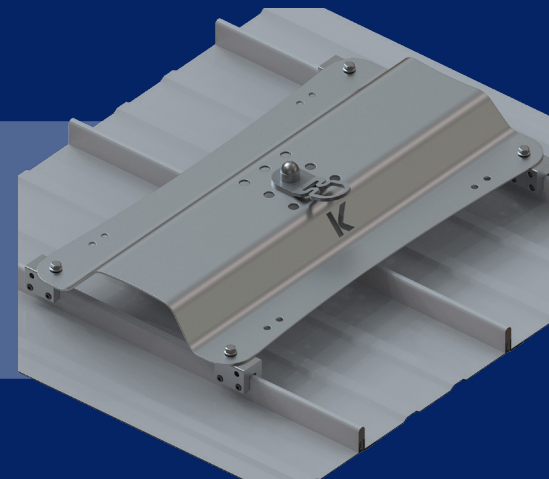
**SL3**

**LIFELINE FOR  
STANDING SEAM ROOFS**



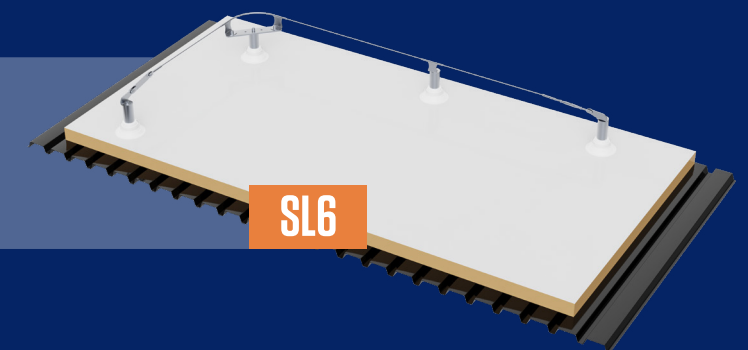
**KSA.TM.001**

**TOP MOUNT ANCHOR -  
STANDING SEAM**



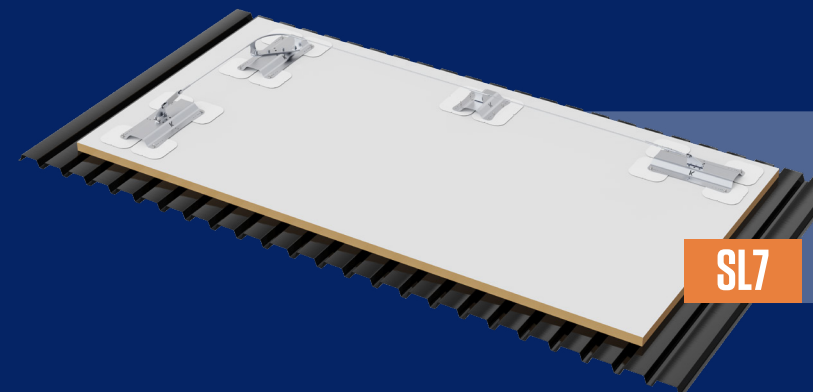
**EXTENDED POST LIFELINE  
FOR MEMBRANE ROOFS**

**SL6**



**KSA.TM.001**

**TOP MOUNT ANCHOR -  
R PANEL**



**SL7**

**LIFELINE FOR  
MEMBRANE ROOFS**



# RESOURCE HUB UPDATES

We're constantly seeking ways to enhance your experience and provide you with the most up-to-date resources. Check out the latest additions to our resource hub, designed to make height access and fall protection simpler and safer than ever



## Communications calendar

Stay up to date with key events announcements. Scan to view our 2026 trade show calendar and out of office schedule.



## Video library

Check out our new installation videos for the GR37 non-penetrating guardrail and KDS05 Dock Stairs!



## Tools & calculators

Scan to see new and updated product checklists. Stay tuned for more updates.



# NEW HIRES



Interested in joining our team?  
View our job openings  
[kattsafe.com/about-us/careers](https://kattsafe.com/about-us/careers)



**Tim Daley**  
Kattcare™ Technician



**Sam Wootten**  
Strategic Projects Coordinator



**Howard Black**  
Inside Sales Manager



**Jonathan Hadley**  
Regional Sales Leader - West



**Josh Diener**  
Sales & Facility Support Specialist



**Corey Pierson**  
Regional Sales Leader - East



**Royden Sitorius**  
Project Estimator

# WE'VE UPDATED OUR REGION MAP

With recent updates to our regional coverage, we're making it easier to get what you need—faster and with the right team from the start.

With all the recent regional map updates, now is a great reminder on the best way to work with us!

SALES INQUIRY INFORMATION

Kattsafe

For the quickest turnaround, please send all inquiries to [sales@kattsafe.com](mailto:sales@kattsafe.com). Feel free to CC your Kattsafe contact so they can stay involved and support as needed. Refer to the regional map below to identify the appropriate contact for your area.

**NORTHERN REGION** | Howard Black, Regional Sales Manager - North  
E: [howard.black@kattsafe.com](mailto:howard.black@kattsafe.com) | P: 765 891 2133

**Territory Sales Representatives:**

- Jeremy Osborne - IN, OH  
E: [jeremy.osborne@kattsafe.com](mailto:jeremy.osborne@kattsafe.com) | P: 317 218 4468
- Jacob Macaluso  
E: [jacob.macaluso@kattsafe.com](mailto:jacob.macaluso@kattsafe.com) | P: 317 406 0157

Lauren Dearman, Sales Development Rep  
E: [lauren.dearman@kattsafe.com](mailto:lauren.dearman@kattsafe.com) | P: 463 224 8631

Blayke Cureton, Estimator  
E: [blayke.cureton@kattsafe.com](mailto:blayke.cureton@kattsafe.com) | P: 317 218 4676

Robert Wootten, Sales Engineer  
E: [robert.wootten@kattsafe.com](mailto:robert.wootten@kattsafe.com) | P: 463 270 8398

Josh Diener, Sales Support  
E: [josh.diener@kattsafe.com](mailto:josh.diener@kattsafe.com) | P: 317 406 0251

**EASTERN REGION**  
Corey Pierson, Regional Sales Leader - East  
E: [corey.pierson@kattsafe.com](mailto:corey.pierson@kattsafe.com) | P: 317 279 5882

**Territory Sales Representatives:**

- Corey Pierson
- Dan O'Boyle - PA, NJ  
E: [dan.oboye@kattsafe.com](mailto:dan.oboye@kattsafe.com) | P: 317 217 4875

Lauren Dearman, Sales Development Rep  
E: [lauren.dearman@kattsafe.com](mailto:lauren.dearman@kattsafe.com) | P: 463 224 8631

Trent Gruwell, Estimator  
E: [trent.gruwell@kattsafe.com](mailto:trent.gruwell@kattsafe.com) | P: 463 298 0401

Robert Wootten, Sales Engineer  
E: [robert.wootten@kattsafe.com](mailto:robert.wootten@kattsafe.com) | P: 463 270 8398

Jonah Mirabel, Sales Support  
E: [jonah.mirabel@kattsafe.com](mailto:jonah.mirabel@kattsafe.com)

**SOUTHERN REGION** | Howard Black, Regional Sales Manager - South  
E: [howard.black@kattsafe.com](mailto:howard.black@kattsafe.com) | P: 765 891 2133

**Territory Sales Representatives:**

- Howard Black

Lauren Dearman, Sales Development Rep  
E: [lauren.dearman@kattsafe.com](mailto:lauren.dearman@kattsafe.com) | P: 463 224 8631

Blayke Cureton, Estimator  
E: [blayke.cureton@kattsafe.com](mailto:blayke.cureton@kattsafe.com) | P: 317 218 4676

Trent Gruwell, Estimator  
E: [trent.gruwell@kattsafe.com](mailto:trent.gruwell@kattsafe.com) | P: 463 298 0401

Robert Wootten, Sales Engineer  
E: [robert.wootten@kattsafe.com](mailto:robert.wootten@kattsafe.com) | P: 463 270 8398

Jonah Mirabel, Sales Support  
E: [jonah.mirabel@kattsafe.com](mailto:jonah.mirabel@kattsafe.com)

**WESTERN REGION**  
Jonathan Hadley, Regional Sales Leader - West  
E: [jonathan.hadley@kattsafe.com](mailto:jonathan.hadley@kattsafe.com) | P: 503 290 9828

**Territory Sales Representatives:**

- Jonathan Hadley

Lauren Dearman, Sales Development Rep  
E: [lauren.dearman@kattsafe.com](mailto:lauren.dearman@kattsafe.com) | P: 463 224 8631

Matt Hadley, Estimator  
E: [matt.hadley@kattsafe.com](mailto:matt.hadley@kattsafe.com) | P: 317 406 0334

Robert Wootten, Sales Engineer  
E: [robert.wootten@kattsafe.com](mailto:robert.wootten@kattsafe.com) | P: 463 270 8398

sales@kattsafe.com | 888 637 7872 | kattsafe.com

## Start with a Quote Request

We always suggest filling out and submitting our [Request a Quote](#) form to:

- Ensure your request gets routed correctly
- Helps us gather the right information upfront
- Speeds up turnaround time

## Know Your Kattsafe Point of Contact

Click on the image to view our updated regional map

- Each region has a dedicated team
- Faster responses
- More localized support

## Locating Product Literature

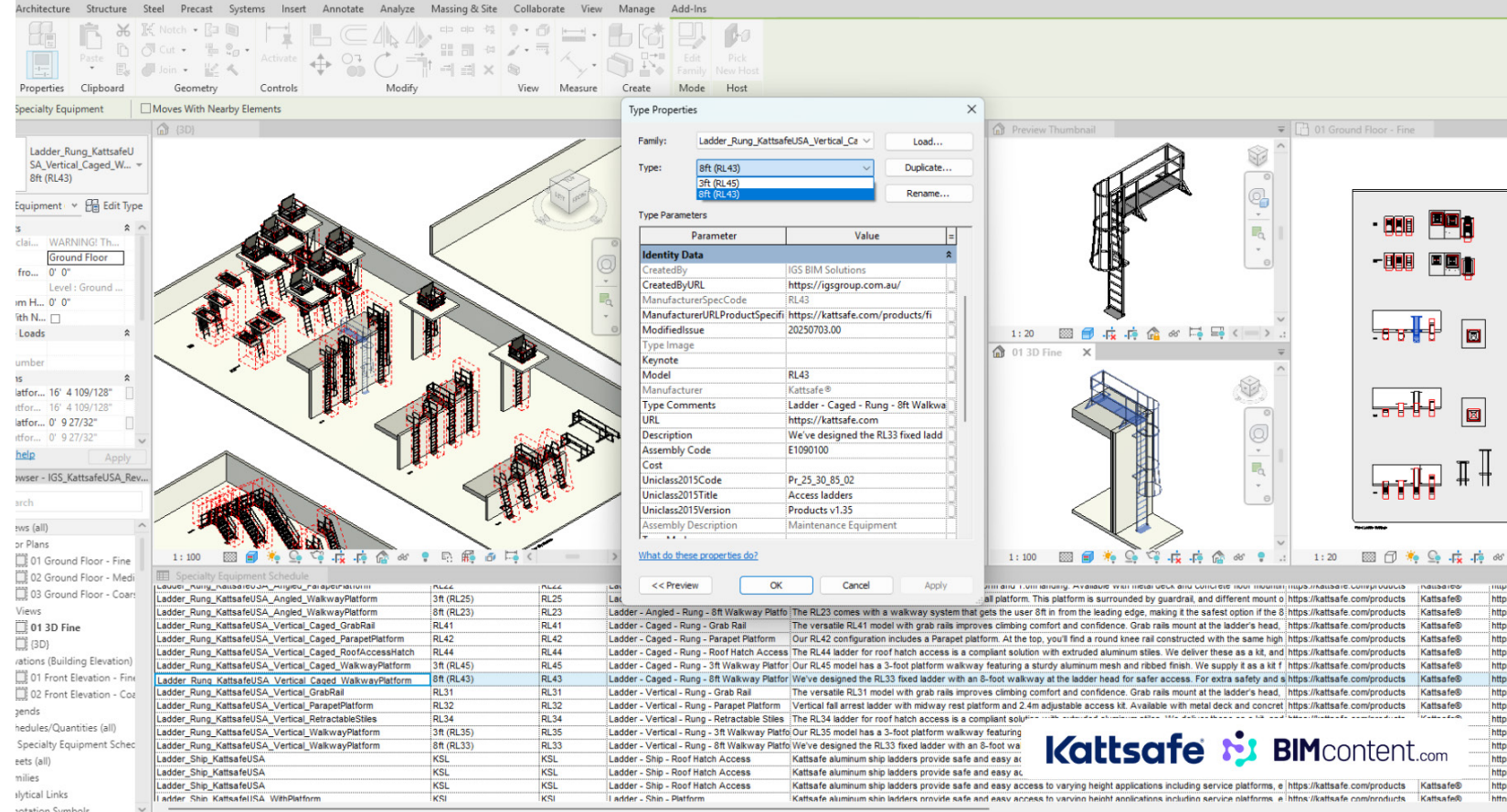
Looking for specs, technical drawings, install manuals, or product details?

All supporting literature is located on our website. If you can't find what you're looking for, email us at [sales@kattsafe.com](mailto:sales@kattsafe.com).

- Simply visit any product page and navigate to the 'Downloads' tab to find all supporting literature
- You can also visit the '[Product Downloads](#)' tab under 'Resources' to find supporting product literature



Company downloads



# BIM/REVIT LIBRARY



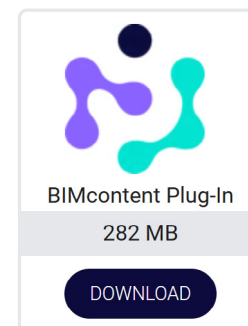
Browse the full library  
[kattsafe.com/specifiers/revit-bim-resources](https://kattsafe.com/specifiers/revit-bim-resources)

Still working through project specs?

Use our BIM library to simplify the process—access accurate models, save time in design, and specify with confidence.

Built 100% natively in Revit, our library offers high-quality, easy-to-use models of our height access and fall protection systems, including guardrails, ladders, platforms, ramps, and more.

The full library is available on our website, with options to download individual families, product collections, or a complete Virtual Showroom project file.



## Work Smarter in Revit

Access our full BIM library instantly with the free BIMcontent Revit Plugin—search, load, and place families without ever leaving your model.

# INDUSTRY NEWS

## National #LadderSafetyMonth

National Ladder Safety Month was created to raise awareness of ladder safety and to decrease the number of ladder-related injuries and fatalities. The American Ladder Institute (ALI) believes ladder accidents are preventable with thorough safety planning, training, and continuous innovation in product design. The more people, organizations, and businesses get involved, the wider the message spreads, and the more people learn about proper ladder safety

### Topics covered:

- 2036 Caged Ladder Update
- OSHA Ladder Checklist Breakdown
- Alternatives to Vertical Ladders
- Ladder Statistics

### Resources:

- 2036 Caged Ladder Update Cheat Sheet
- Ladder OSHA Compliance Checklist
- Ladder Quoting Checklist
- OSHA's Top 10 Safety Violations of 2026
- Blog Posts and FAQ's



View the #LadderSafetyMonth page and resources while it's still up!

# TRADE SHOW RECAP



### Trade Shows: IRE, IPPE, and IIBEC

Q1 was a busy quarter for trade shows. Our team had a great time attending the following shows:

1. IRE in Las Vegas
2. IPPE in Atlanta, GA
3. IIBEC in Sacramento, CA

Thank you to everyone who visited our booth and engaged with us. We look forward to continuing these valuable conversations and providing the opportunity for you to win your own LEGO kit!



# LOOKING AHEAD

Below you can find some events and announcements to look forward to in the next upcoming months.

## Upcoming trade shows: ASSP and BOMA



### ASSP

When:	June 15-17
Where:	Anaheim Convention Center, West Building
Booth Number:	#6446

### BOMA

When:	June 28-29
Where:	Long Beach Convention & Exhibition Center
Booth Number:	#1261



**Communications calendar**  
Scan to view upcoming events, 2026 trade show schedule, and more!

# YOUR RESOURCES



**Products**  
[kattsafe.com/products](https://kattsafe.com/products)



**Programs**  
[kattsafe.com/programs](https://kattsafe.com/programs)



**Contact us**  
[kattsafe.com/contact-us](https://kattsafe.com/contact-us)



**Resource hub**  
[kattsafe.com/resources](https://kattsafe.com/resources)



**Request a quote**  
[kattsafe.com/request-a-quote](https://kattsafe.com/request-a-quote)



# PHOTO GALLERY



View more project photos  
Browse the full product photo gallery



# PHOTO GALLERY



View more project photos  
Browse the full product photo gallery



# MAXIMUM SAFETY. MINIMUM FUSS.



---

Get in touch today  
[kattsafe.com/contact-us](https://kattsafe.com/contact-us)

**Kattsafe**<sup>®</sup>

Height access  
and fall protection

5199 E 500 S, Suite 100  
Whitestown, IN 46075  
United States

888 637 7872  
[sales@kattsafe.com](mailto:sales@kattsafe.com)  
[kattsafe.com](https://kattsafe.com)