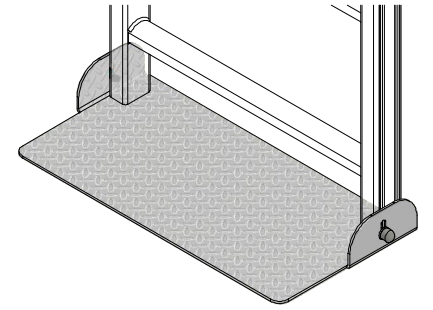
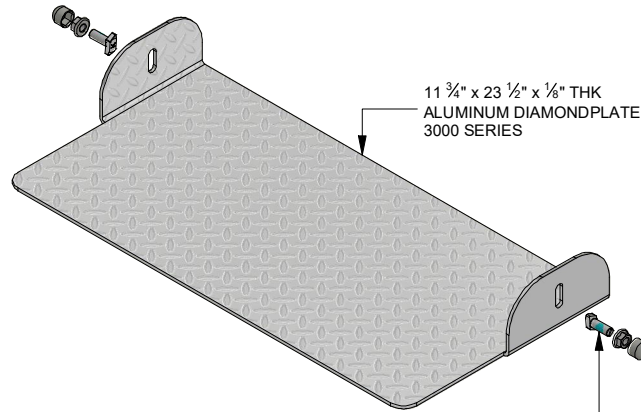
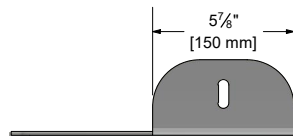
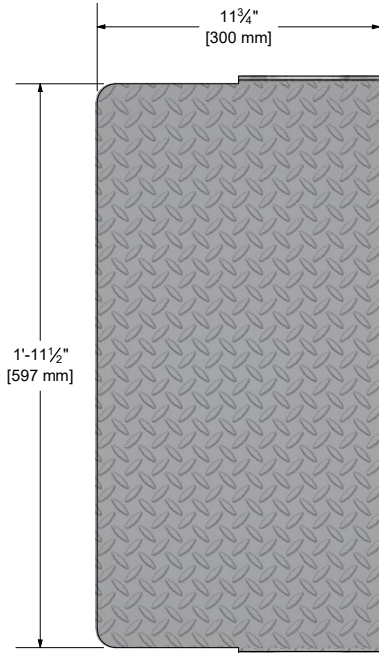


PROJECT REF: _____
 CONTRACTOR: _____
 APPROVED BY: _____
 SIGN HERE: _____



Kattsafe

3921 PERRY BLVD
WHITESTOWN, IN 46075
TEL: 888 637 7872
SALES@KATTSAFE.COM

THIS DRAWING REMAINS THE PROPERTY OF KATTSAFE®
AND MAY NOT BE CHANGED WITHOUT WRITTEN PERMISSION

DESCRIPTION
LADDER NON-PENETRATING
BASE PLATE

MATERIAL
ALUMINUM

PRODUCT CODE
LD419F

FINISH
DIAMONDPLATE

1 : 12
PAGE 1
OF 1

DRN: ALD DATE: 3/27/24 SIZE: A

DWG No. LD419F.TD REV.

REV	DATE	BY	COMMENTS

8 7 6 5 4 3 2 1