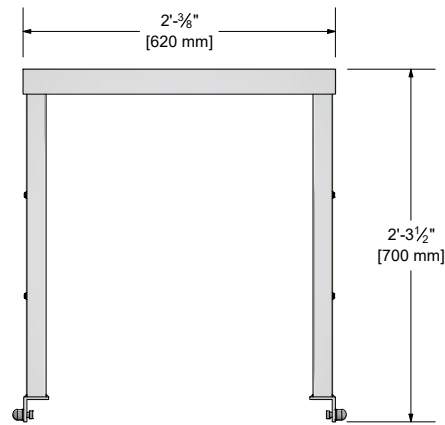
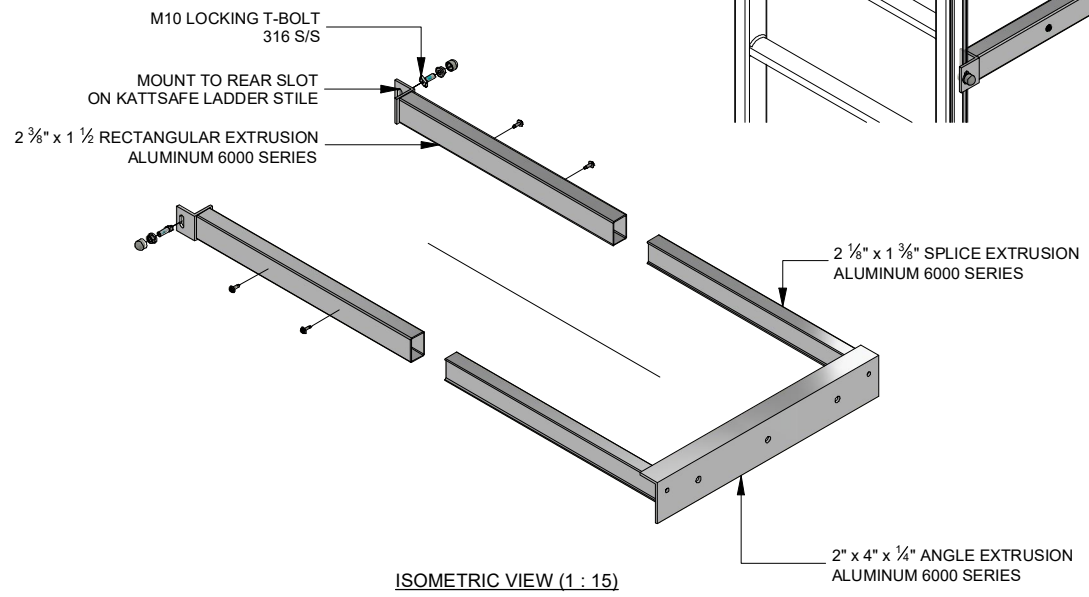


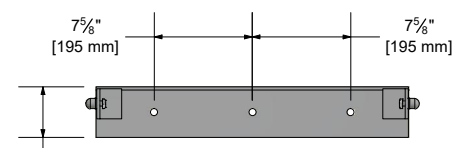
PROJECT REF: \_\_\_\_\_  
 CONTRACTOR: \_\_\_\_\_  
 APPROVED BY: \_\_\_\_\_  
 SIGN HERE: \_\_\_\_\_



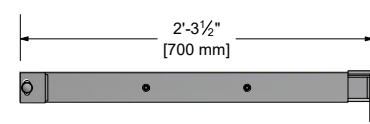
TOP VIEW (1 : 15)



ISOMETRIC VIEW (1 : 15)



FRONT VIEW (1 : 15)



SIDE VIEW (1 : 15)

	DESCRIPTION	LADDER ADJUSTABLE FIXING BRACKET	PRODUCT CODE	LD421.600	1 : 15	PAGE 1 OF 1
	MATERIAL	ALUMINUM	FINISH	MILL FINISH	DRN: ALD	DATE: 4/9/24
3921 PERRY BLVD WHITESTOWN, IN 46075 TEL: 888 637 7872 SALES@KATTSAFE.COM <small>THIS DRAWING REMAINS THE PROPERTY OF KATTSAFE® AND MAY NOT BE CHANGED WITHOUT WRITTEN PERMISSION</small>					DWG No.	LD421.600.TD

REV	DATE	BY	COMMENTS