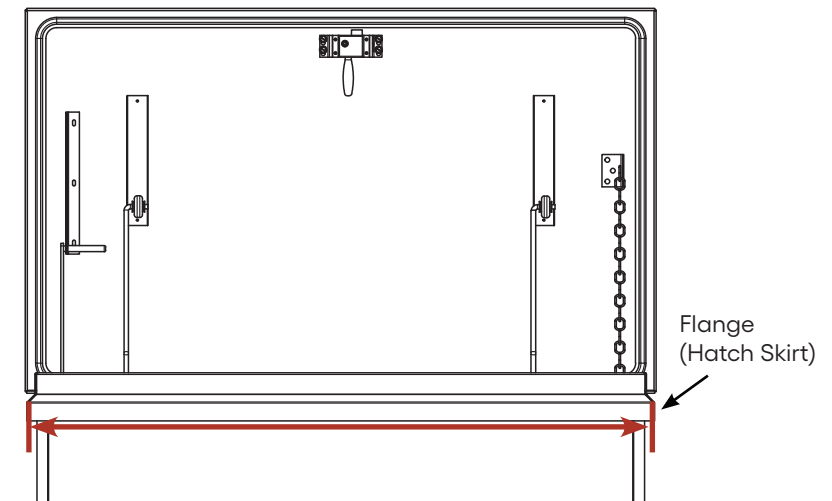
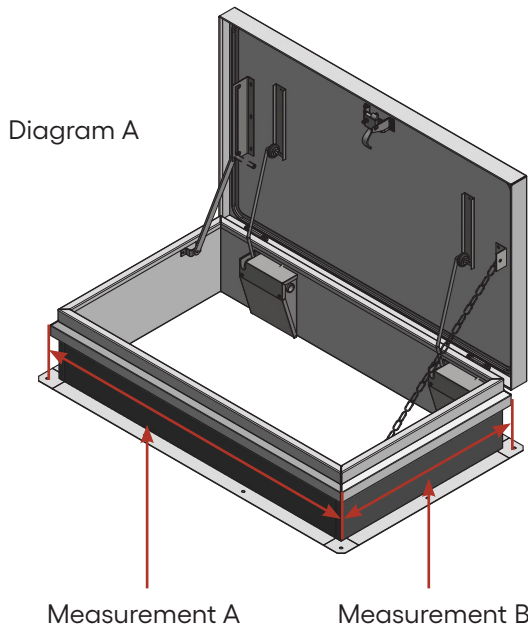
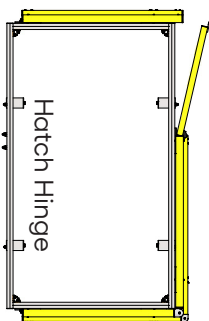


# ROOF HATCH ASSESSMENT FORM

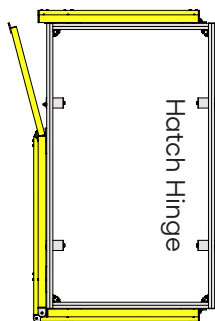
1. Measure the roof hatch flange length for measurement 'A'.
2. Measure the roof hatch flange length for measurement 'B'.
3. Circle your exit type.
4. Submit a photo of your application with this form to [sales@kattsafe.com](mailto:sales@kattsafe.com) for an accurate quote.
5. If you are unable to accurately complete this form due to a unique application, then please contact Kattsafe for further assistance.



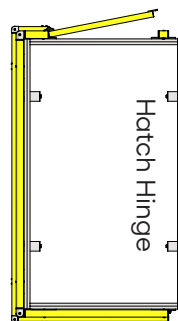
Measurements in Diagram (A) are referencing the length of the flange.



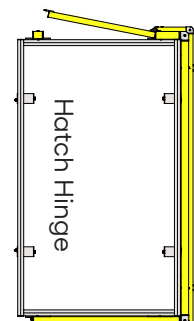
A: Right Exit



B: Left Exit



C: Front Exit 1



D: Front Exit 2

Contact Name	
Contact Info (Phone/Email)	
Project Reference	
Measurement A	
Measurement B	
Exit Option	