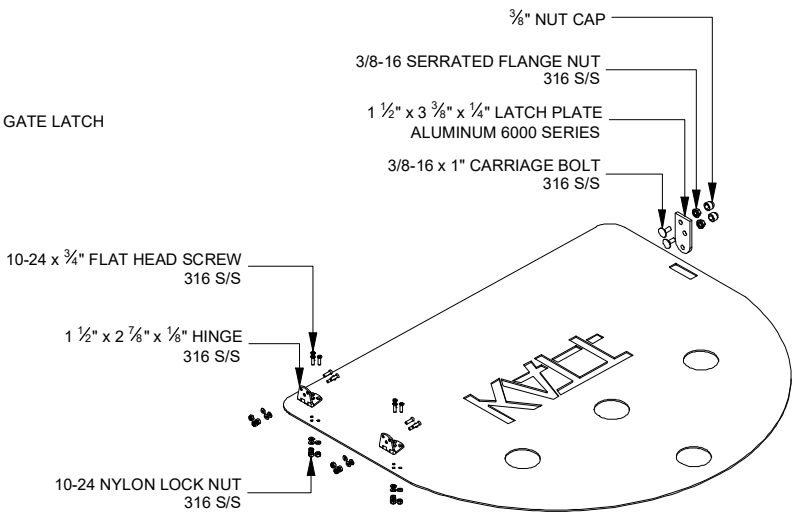
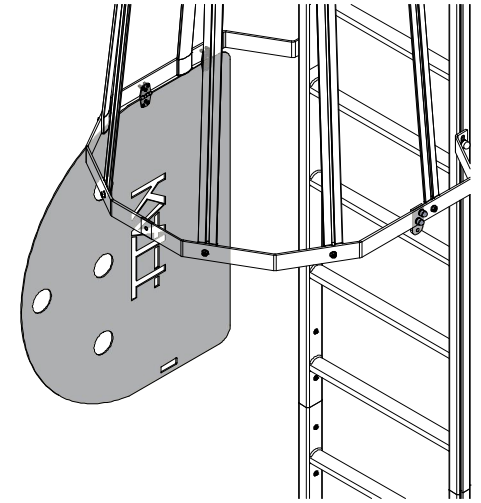
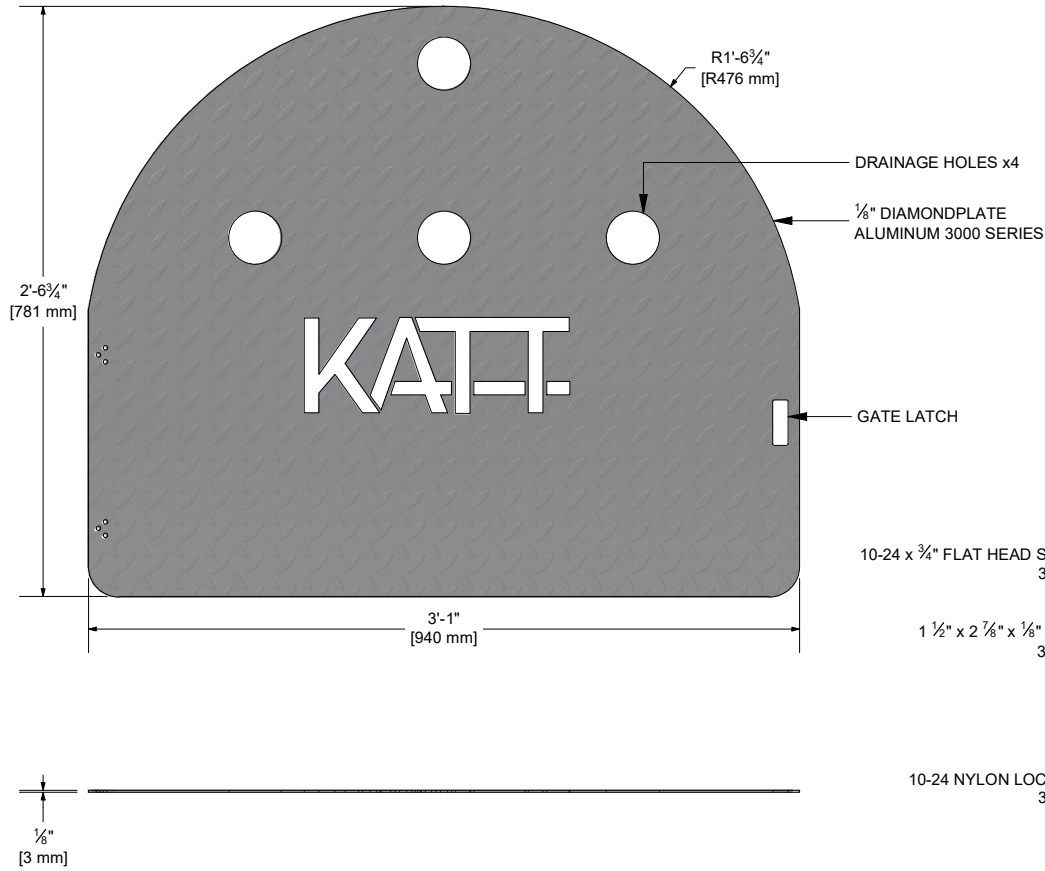


PROJECT REF: \_\_\_\_\_  
 CONTRACTOR: \_\_\_\_\_  
 APPROVED BY: \_\_\_\_\_  
 SIGN HERE: \_\_\_\_\_



**Kattsafe**

3921 PERRY BLVD  
 WHITESTOWN, IN 46075  
 TEL: 888 637 7872  
 SALES@KATTSAFE.COM

THIS DRAWING REMAINS THE PROPERTY OF KATTSAFE®  
 AND MAY NOT BE CHANGED WITHOUT WRITTEN PERMISSION

DESCRIPTION  
 LADDER CAGE GATE

PRODUCT CODE  
 LD425

1 / 20

PAGE 1  
 OF 1

DRN: ALD DATE: 4/5/24 SIZE: A

MATERIAL  
 ALUMINUM

FINISH  
 DIAMONDPLATE/MILL

DWG No. LD425.TD REV.

REV	DATE	BY	COMMENTS

8 7 6 5 4 3 2 1